

# Contents

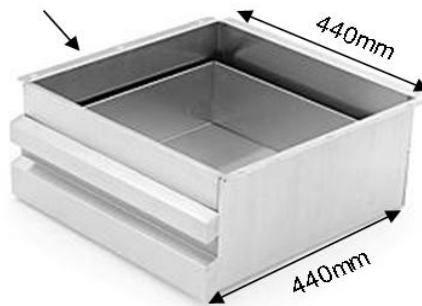


|                                      |     |
|--------------------------------------|-----|
| CRH Series Stainless Steel Drawers   | F1  |
| CRH Series Drawer Slides             | F2  |
| Hinges                               | F4  |
| Drawer Handles and Pulls             | F6  |
| Locks                                | F8  |
| Catches                              | F9  |
| Glass Capping                        | F10 |
| CRH Series Cabinet Latches & Strikes | F11 |
| Sliding Door Track & Accessories     | F13 |

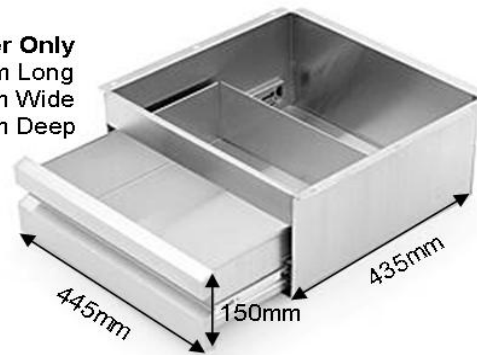
|               |     |                |     |
|---------------|-----|----------------|-----|
| 100SL         | F8  | DO-103         | F6  |
| 100SLB        | F8  | DRAWER SET 1/1 | F1  |
| 545.24525.352 | F3  | GLASS CAP      | F10 |
| 545.24530.352 | F3  | K573           | F6  |
| 545.24540.352 | F3  | K905-4         | F7  |
| 545.24545.352 | F3  | K905-31        | F7  |
| 545.24550.352 | F3  | K905-52        | F7  |
| 545.24555.352 | F3  | K0520420       | F3  |
| 545.24560.352 | F3  | K0520422       | F3  |
| 05016         | F5  | K0520424       | F3  |
| 05041         | F5  | K0520426       | F3  |
| 05085         | F5  | K730704        | F4  |
| 05141         | F5  | K730706        | F4  |
| 05165         | F5  | K760400        | F8  |
| 05252         | F5  | MAGNET-D       | F9  |
| 7306L00004    | F4  | MAGNET-S       | F9  |
| 7306L00006    | F4  | MCM1           | F7  |
| 7306R00004    | F4  | S52-X001       | F3  |
| 7306R00006    | F4  | SSD-445435IF   | F1  |
| 7315-301      | F9  | SSD-445435OF   | F1  |
| 7315-302      | F9  | TO-106         | F6  |
| 7318-4        | F13 | TO-106R        | F6  |
| 7318-5        | F13 | TO-173L        | F2  |
| 7318-6        | F13 | TO-9100-18     | F2  |
| 7318-7        | F13 | TO-9100-20     | F2  |
| 7318-9        | F13 |                |     |
| 7318-10       | F13 |                |     |
| 7318-11       | F13 |                |     |
| 7318-144      | F13 |                |     |
| 7301035106    | F5  |                |     |
| 7301035150    | F5  |                |     |
| 7304000008    | F5  |                |     |
| 7304000010    | F5  |                |     |
| 7314000301    | F9  |                |     |
| 7314000302    | F9  |                |     |
| 7600000500    | F8  |                |     |
| 7600000501    | F8  |                |     |
| 7600000502    | F8  |                |     |
| 7600000503    | F8  |                |     |
| C-DLA/LHC     | F11 |                |     |
| C-DLB/LHA     | F11 |                |     |
| C-DLC2        | F11 |                |     |
| C-DLC/LHB     | F11 |                |     |
| CRH5710X      | F12 |                |     |
| CRH5722X      | F12 |                |     |
| CRH5723X      | F12 |                |     |
| CS450SS       | F2  |                |     |
| CS500SS       | F2  |                |     |
| CS550SS       | F2  |                |     |
| CS600SS       | F2  |                |     |
| CS650SS       | F2  |                |     |
| D HANDLE      | F6  |                |     |
| D HANDLE C    | F6  |                |     |
| DO-102        | F6  |                |     |



**Note:** Side and back flanges are 20mm and not included in dimensions.



**Drawer Only**  
410mm Long  
405mm Wide  
125mm Deep



**a.**

| ITEM | STOCK CODE            | DESCRIPTION  | FEATURES   | DIMENSIONS<br>W x D x H mm  |
|------|-----------------------|--|--|---|
| a.   | <b>SSD-445435OF</b>   | Stainless steel drawer unit with key lock and double action slides<br><br><b>Outside flange</b> - allows unit to be easily attached to the underside of a bench        | <ul style="list-style-type: none"> <li>0.9mm 304 grade stainless steel drawer with 1.2mm casing</li> <li>Polished finish</li> <li>Lock with 2 keys supplied standard</li> <li>Full extension ball bearing zinc plated drawer slides</li> </ul>     | Overall<br>445 x 435 x 210<br>Inside Drawer<br>405 x 410 x 125<br>Drawer Depth<br>150mm<br>Dimensions exclude 20mm flange |
|      | <b>SSD-445435IF</b>   | Stainless steel drawer unit with key lock and double action slides<br><br><b>Inside flange</b> - allows unit to be easily attached to another to make a stackable unit | <ul style="list-style-type: none"> <li>0.9mm 304 grade stainless steel drawer with 1.2mm casing</li> <li>Polished finish</li> <li>Lock with 2 keys supplied standard</li> <li>Full extension ball bearing zinc plated drawer slides</li> </ul>     | Overall<br>445 x 435 x 210<br>Inside Drawer<br>405 x 410 x 125<br>Drawer Depth<br>150mm                                   |
|      | <b>DRAWER SET 1/1</b> | Stainless steel drawer unit with key lock and double action slides to suit full size 1/1 gastronorm pan  | <ul style="list-style-type: none"> <li>0.9mm 304 grade stainless steel drawer with 1.2mm casing</li> <li>Polished finish</li> <li>Lock with 2 keys supplied standard</li> <li>Full extension ball bearing stainless steel drawer slides</li> </ul> | Overall<br>407 x 585 x 255<br>Inside Drawer<br>335 x 540 x 152<br>Drawer Depth<br>225mm                                   |



**FEATURES:**

- 304 Stainless steel slides
- Stainless steel bearings
- Double action
- Simple drawer removal



- Stainless Steel

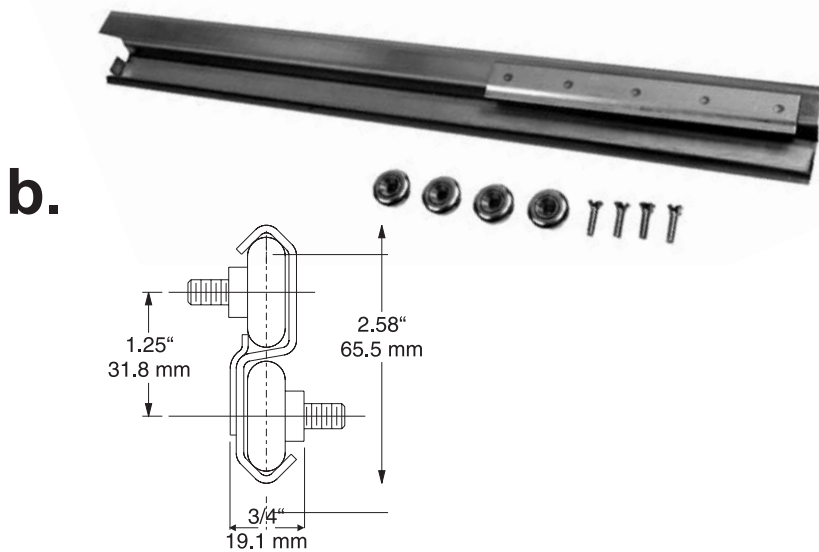
| ITEM | STOCK CODE        | DESCRIPTION  | CAPACITY kg | DIMENSIONS W x D x H mm | SLIDES                       |
|------|-------------------|--|-------------|-------------------------|------------------------------|
| a.   | <b>CS450SS</b>    | 304 Stainless steel double action drawer slide 450mm | 45          | 450 x 45 x 12           | Stainless steel ball bearing |
|      | <b>CS500SS</b>    | 304 Stainless steel double action drawer slide 500mm | 45          | 500 x 45 x 12           | Stainless steel ball bearing |
|      | <b>CS550SS</b>    | 304 Stainless steel double action drawer slide 550mm | 45          | 550 x 45 x 12           | Stainless steel ball bearing |
|      | <b>CS600SS</b>    | 304 Stainless steel double action drawer slide 600mm | 45          | 600 x 45 x 12           | Stainless steel ball bearing |
|      | <b>CS650SS</b>    | 304 Stainless steel double action drawer slide 650mm | 45          | 650 x 45 x 12           | Stainless steel ball bearing |
| b.   | <b>TO-9100-18</b> | Stainless steel drawer slide 455mm                   | 50-60       | 455 x 78 x 13           | Stainless steel ball bearing |
|      | <b>TO-9100-20</b> | Stainless steel drawer slide 505mm                   | 50-60       | 505 x 78 x 13           | Stainless steel ball bearing |
|      | <b>TO-173L</b>    | Stainless steel drawer slide 600mm                   | 50-60       | 600 x 78 x 13           | Stainless steel ball bearing |

CRH Series Drawer Slides

FEATURES

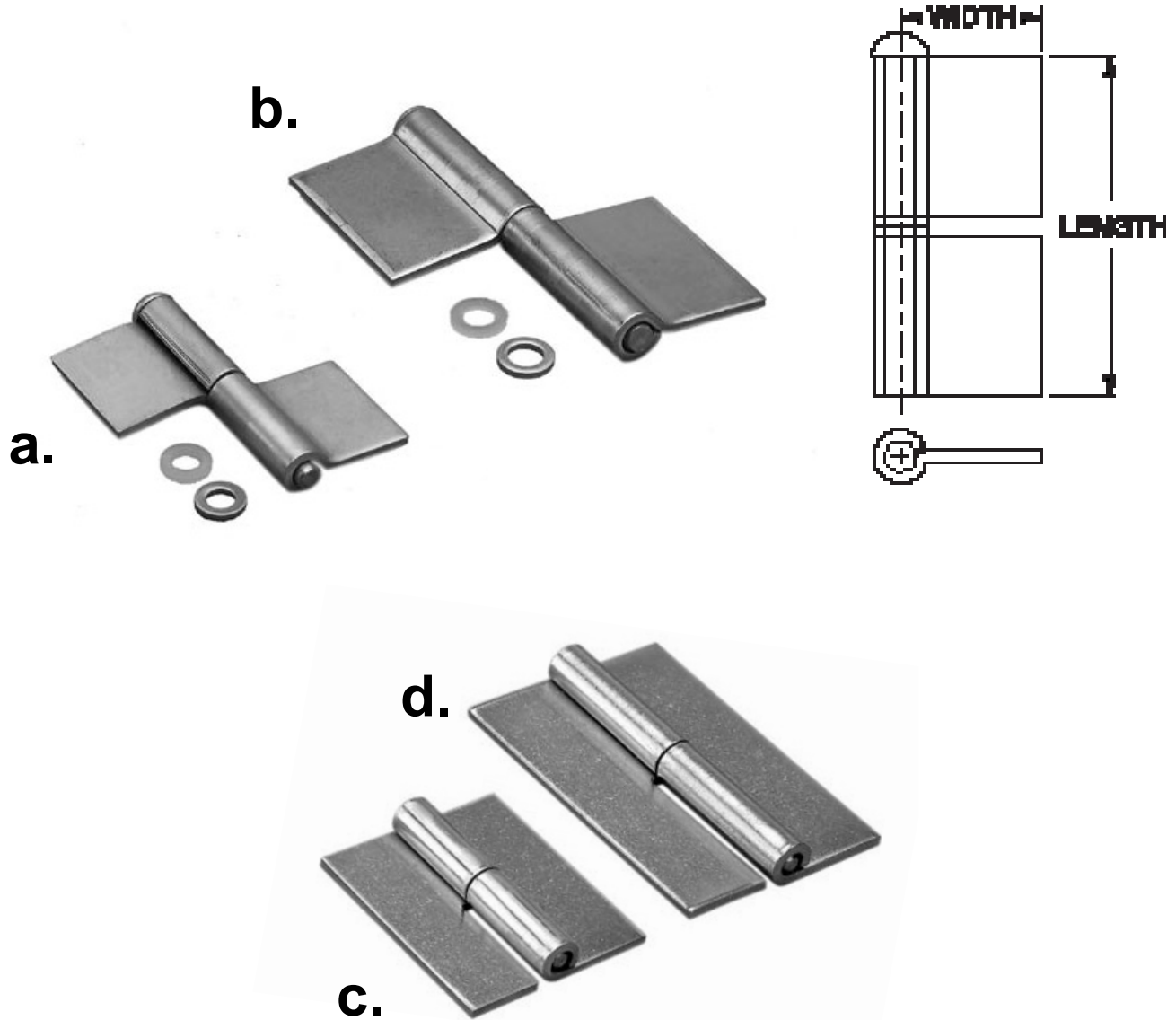


- Zinc plated
- Double action
- Simple drawer removal

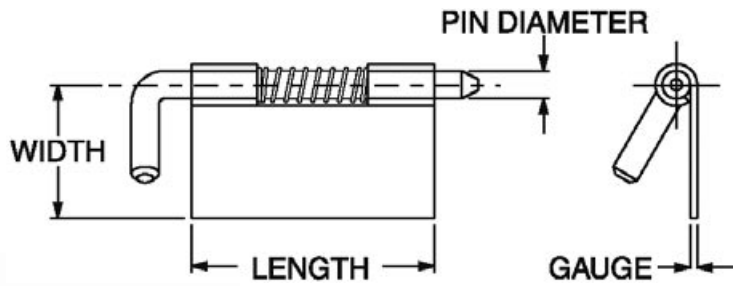
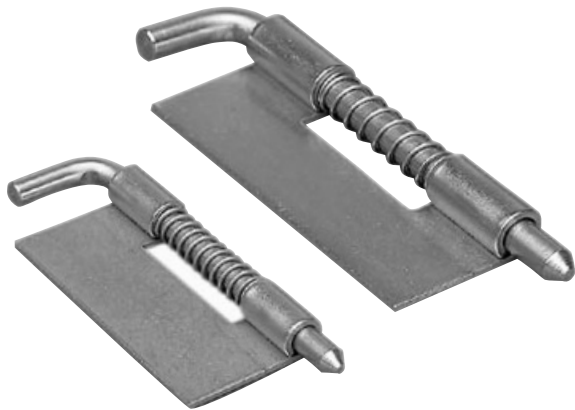


- Extra heavy duty
- Full extension for easy access to drawer
- All stainless steel

| ITEM | STOCK CODE           | DESCRIPTION  | CAPACITY kg | DIMENSIONS W x D x H mm | SLIDES                  |
|------|----------------------|--|-------------|-------------------------|-------------------------|
| a.   | <b>545.24525.352</b> | Zinc plated double action slide 250mm                                | 45          | 250 x 45 x 12           | Ball bearing            |
|      | <b>545.24530.352</b> | Zinc plated double action slide 300mm                                | 45          | 300 x 45 x 12           | Ball bearing            |
|      | <b>545.24540.352</b> | Zinc plated double action slide 400mm                                | 45          | 400 x 45 x 12           | Ball bearing            |
|      | <b>545.24545.352</b> | Zinc plated double action slide 450mm                                | 45          | 450 x 45 x 12           | Ball bearing            |
|      | <b>545.24550.352</b> | Zinc plated double action slide 500mm                                | 45          | 500 x 45 x 12           | Ball bearing            |
|      | <b>545.24555.352</b> | Zinc plated double action slide 550mm                                | 45          | 550 x 45 x 12           | Ball bearing            |
|      | <b>545.24560.352</b> | Zinc plated double action slide 600mm                                | 45          | 600 x 45 x 12           | Ball bearing            |
| b.   | <b>K0520420</b>      | Kason stainless steel drawer slide 20"                               | 90          | 508 x 62 x 19           | S/S Ball bearing wheels |
|      | <b>K0520422</b>      | Kason stainless steel drawer slide 22"                               | 90          | 559 x 62 x 19           | S/S Ball bearing wheels |
|      | <b>K0520424</b>      | Kason stainless steel drawer slide 24"                               | 90          | 610 x 62 x 19           | S/S Ball bearing wheels |
|      | <b>K0520426</b>      | Kason stainless steel drawer slide 26"                               | 90          | 660 x 62 x 19           | S/S Ball bearing wheels |
|      | <b>S52-X001</b>      | Stainless steel ball bearing wheel stud for Kason K052 series slides | -           | -                       | -                       |



| ITEM | STOCK CODE | DESCRIPTION  | DIMENSIONS<br>W x L x GAUGE<br>mm |
|------|------------|--|-----------------------------------|
| a.   | K730704    | Stainless steel lift off flag hinge. Swedged knuckle nylon bearing. Pin diameter 4.8mm | 22 x 54 x 1.9                     |
| b.   | K730706    | Stainless steel lift off flag hinge. Swedged knuckle nylon bearing. Pin diameter 6.4mm | 28 x 79 x 1.9                     |
| c.   | 7306R00004 | Stainless steel lift off hinge. Right opening  | 44 x 50 x 1.9                     |
|      | 7306L00004 | Stainless steel lift off hinge. Left opening   | 44 x 50 x 1.9                     |
| d.   | 7306R00006 | Stainless steel lift off hinge. Right opening  | 50 x 76 x 1.9                     |
|      | 7306L00006 | Stainless steel lift off hinge. Left opening   | 50 x 76 x 1.9                     |



**a.**



**b.**

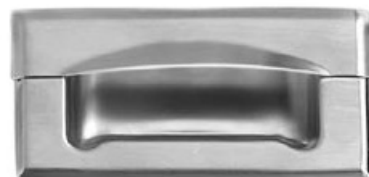
| ITEM | STOCK CODE | DESCRIPTION                            | OPEN HINGE DIMENSIONS<br>W x L x GAUGE mm | PIN DIAMETER<br>mm |
|------|------------|--|---|--------------------|
| a.   | 7304000008 | Stainless steel latch hinge            | 22.2 x 50.8 x 1.3                         | 4.8                |
|      | 7304000010 | Stainless steel latch hinge            | 25.4 x 69.9 x 1.6                         | 6.4                |
| b.   | 7301035106 | Stainless steel continuous hinge 27mm  | 27 x 1829 x 0.9                           | 2.5                |
|      | 05165      | Stainless steel continuous hinge 32mm  | 32 x 1800 x 1.2                           | 3.2                |
|      | 7301035150 | Stainless steel continuous hinge 38mm  | 38 x 1829 x 1                             | 3.2                |
|      | 7301040200 | Stainless steel continuous hinge 50mm  | 50 x 1829 x 1                             | 3.2                |
|      | 05085      | Stainless steel continuous hinge 57mm  | 57 x 1800 x 1.6                           | 4.5                |
|      | 05016      | Stainless steel continuous hinge 63mm  | 63 x 1800 x 1.6                           | 4.5                |
|      | 05252      | Stainless steel continuous hinge 76mm  | 76 x 2160 x 1.6                           | 4.5                |
|      | 05041      | Stainless steel continuous hinge 127mm | 127 x 2000 x 1.6                          | 4.5                |



**a.**



**b.**



**c.**



**d.**

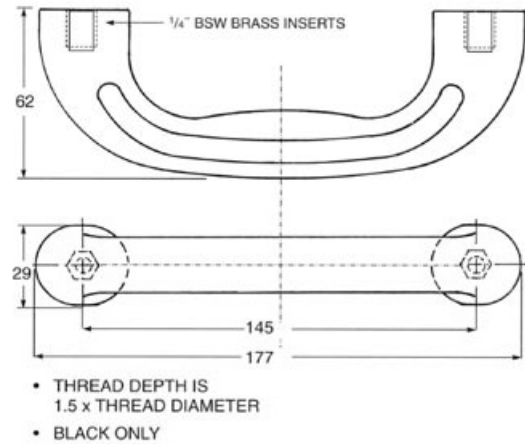


**e.**

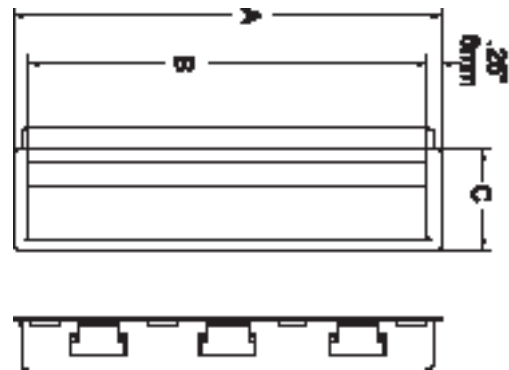


**f.**

| ITEM | STOCK CODE        | DESCRIPTION   | LENGTH mm | HEIGHT mm |
|------|-------------------|---|-----------|-----------|
| a.   | <b>D HANDLE</b>   | Die cast chrome plate pull. 102mm centres with screws   | 112       | -         |
|      | <b>D HANDLE C</b> | Die cast chrome plate pull. 96mm centres  | 105       | -         |
| b.   | <b>DO-102</b>     | Stainless steel drawer pull. Flush type for welding   | 121       | 62        |
| c.   | <b>DO-103</b>     | Stainless steel drawer pull, full grip with frame, bevelled edge and retainer lock nuts. 102mm centres with screws  | 124       | 62        |
| d.   | <b>TO-106</b>     | Stainless steel flush pull, recessed. 102mm centres with screws   | 121       | 62        |
| e.   | <b>TO-106R</b>    | Stainless steel round pull, recessed. 120mm diameter. Through studs with lock nuts  | -         | -         |
| f    | <b>K573</b>       | Large offset pull handle. High pressure die cast zinc with polished chrome finish. Mounting holes 127mm (5") OC drilled and tapped for 20mm (3/4") screws | 150       | 38        |

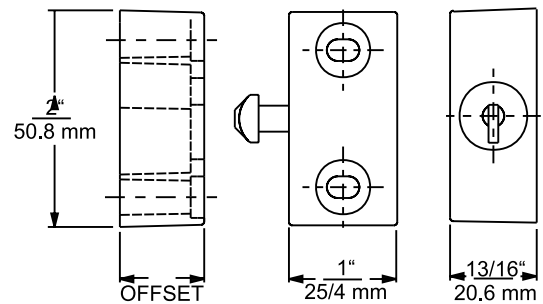
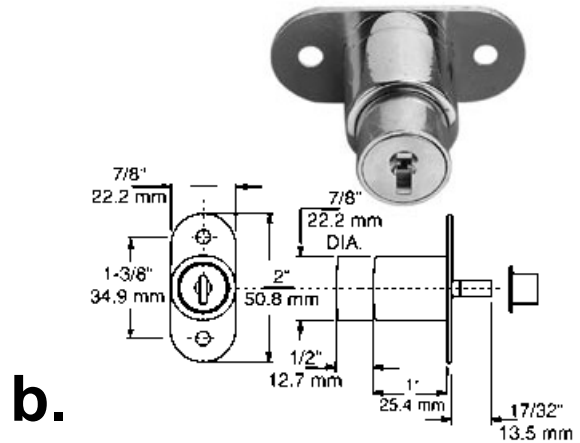
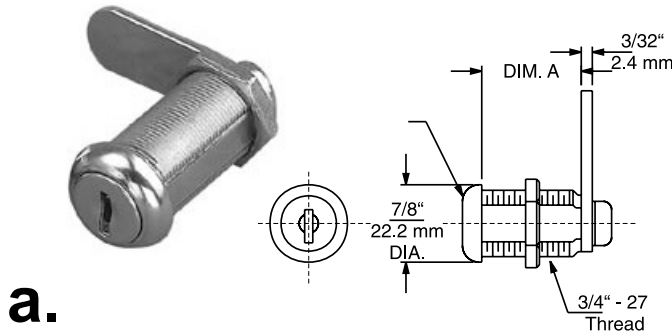


| KASON 905 SERIES RECESS SNAP IN HANDLES MEASUREMENTS |      |      |      |                 |            |
|--|------|------|------|-----------------|------------|
| STOCK CODE   | A mm | B mm | C mm | Panel Thickness | Cut-out mm |
| K905-4   | 189  | 177  | 44   | .030"           | 181 x 39.5 |
| K905-52  | 138  | 127  | 36   | .055" to .070"  | 131 x 31   |
| K905-31  | 92   | 83   | 36   | .040" to .055"  | 87 x 30.5  |



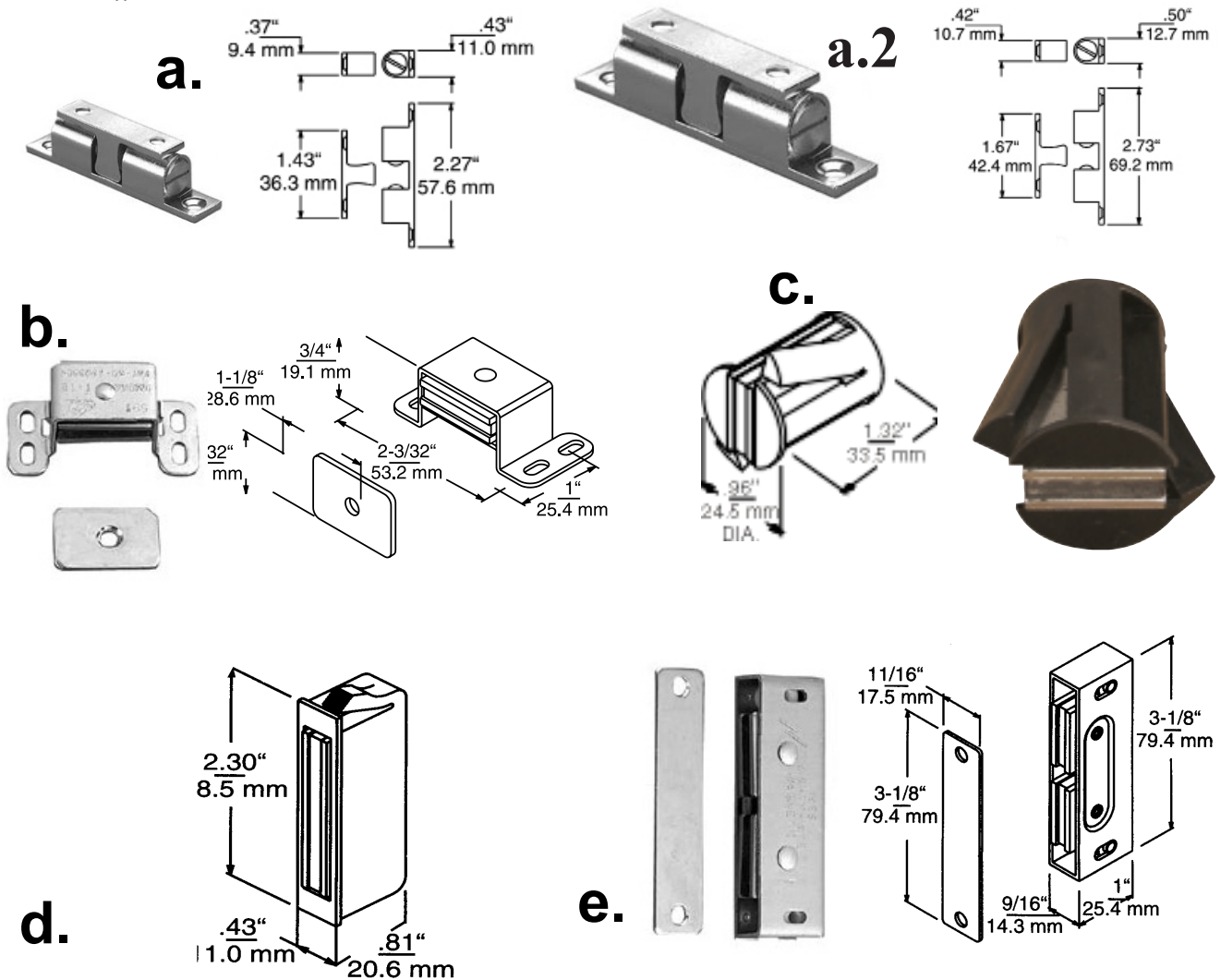
| ITEM | STOCK CODE | DESCRIPTION   | MATERIAL       |
|------|------------|---|----------------|
| a.   | MCM1       | Solid bakelite pull handle, black. Thread depth is 1.5 x 1/4" BSW diameter. Brass inserts | Black Bakelite |
| b.   | K905-4     | Kason Recess Snap In Handle   | Black Plastic  |
|      | K905-52    | Kason Recess Snap In Handle   | Black Plastic  |
|      | K905-31    | Kason Recess Snap In Handle   | Black Plastic  |

**KASON**

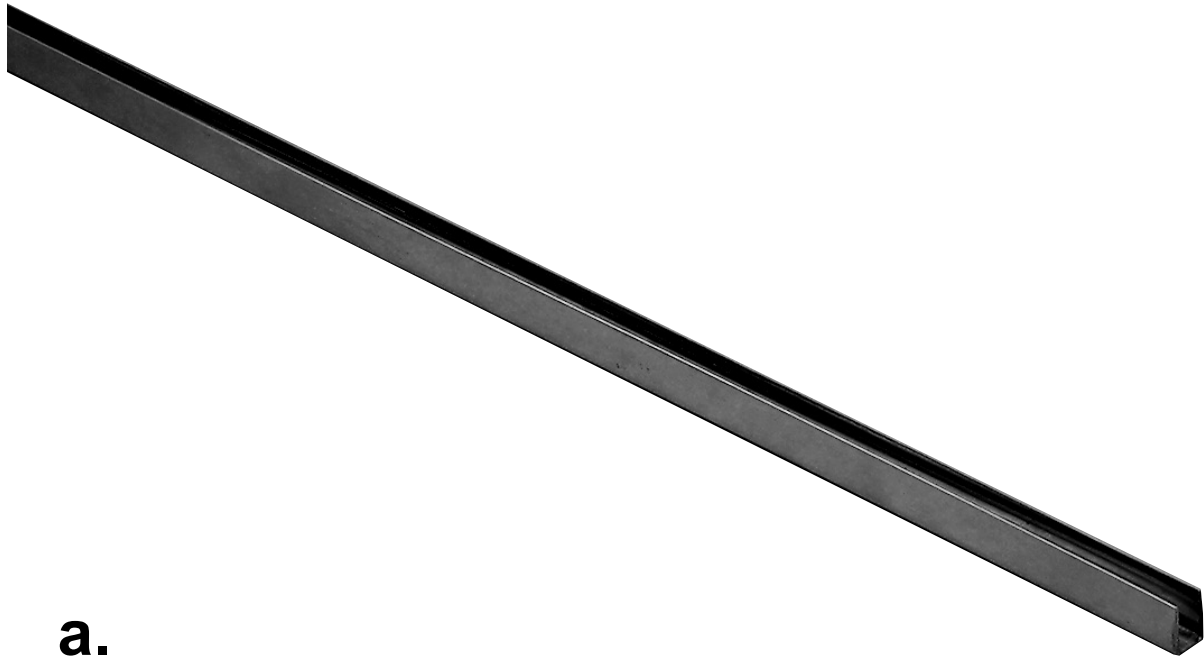


| ITEM | STOCK CODE | DESCRIPTION                         | FEATURES  | DIMENSIONS mm                |
|------|------------|-------------------------------------|---|------------------------------|
| a.   | 7600000500 | Kason utility lock. Polished chrome | <ul style="list-style-type: none"> <li>Disc cylinder. Key removable in locked or unlocked position</li> <li>Two brass keys included</li> <li>Material: Die-cast zinc</li> <li>Mounting: Through double D hole. Fastens with hex nut</li> </ul>                          | Cylinder depth 15.8 (5/8")   |
|      | 7600000501 |                                     |   | Cylinder depth 22.2 (7/8")   |
|      | 7600000502 |                                     |   | Cylinder depth 28.6 (1 1/8") |
|      | 7600000503 |                                     |   | Cylinder depth 34.9 (1 3/8") |
| b.   | K760400    | Kason nickel plated plunger lock    | <ul style="list-style-type: none"> <li>Five disc cylinder, push in bolt receiver.</li> <li>For bypassing doors 19mm thick or over</li> <li>Locking cylinder cannot be removed without key</li> <li>Two brass keys included</li> <li>Drilled for 3.0mm screws</li> </ul> | -                            |
| c.   | 100SL      | Kason security block lock.          | <ul style="list-style-type: none"> <li>Four disc cylinder</li> <li>Chrome plated Zamak body with steel faced cylinder</li> <li>Keyed alike</li> <li>Vertical and horizontal adjustments</li> </ul>  | 50 x 22 x 25                 |
|      | 100SLB     | Kason security block lock           | <ul style="list-style-type: none"> <li>As above</li> <li>Black powder coated</li> </ul>   | 50 x 22 x 25                 |

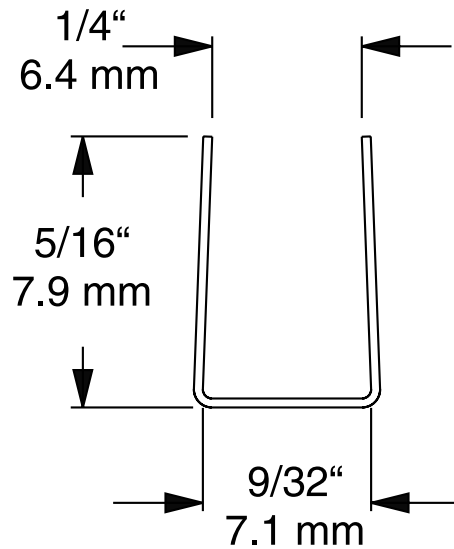
**KASON**



| ITEM | STOCK CODE | DESCRIPTION  | MATERIAL   | MOUNTING                                      |
|------|------------|--|--|---|
| a.   | 7315-301   | Door catch. Standard duty. Adjustable spring loaded ball tension | Solid brass body, stainless steel balls. Satin nickel finish | Mortise or surface mount                      |
| a.2  | 7315-302   | Door catch. Heavy duty. Adjustable spring loaded ball tension    | Solid brass body, stainless steel balls. Satin nickel finish | Mortise or surface mount                      |
| b.   | MAGNET-S   | Single magnet  | Aluminium housing. Zinc plated steel pole plate and strike   | 5.5kg (12lb) pull                             |
| c.   | 7314000301 | Round snap in magnet   | Black polypropylene  | Snaps into a 22mm diameter opening            |
| d.   | 7314000302 | Snap in single magnet  | Black polypropylene  | Snaps into 9.6mm x 57.2mm rectangular opening |
| e.   | MAGNET-D   | Heavy duty double magnet   | Aluminium housing. Zinc plated steel pole plate and strike   | 13.6kg (30lb) pull                            |

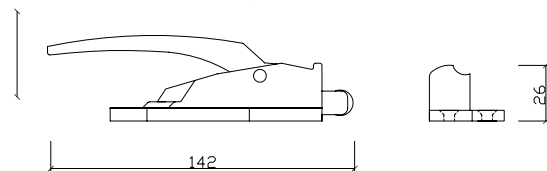
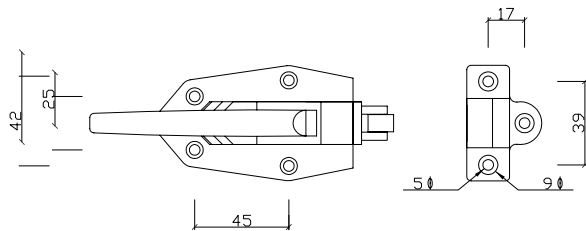
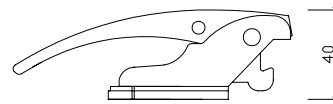
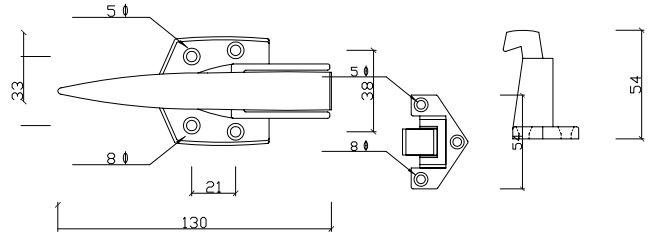
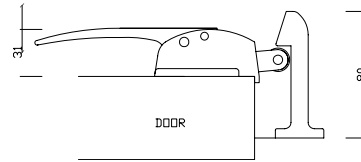
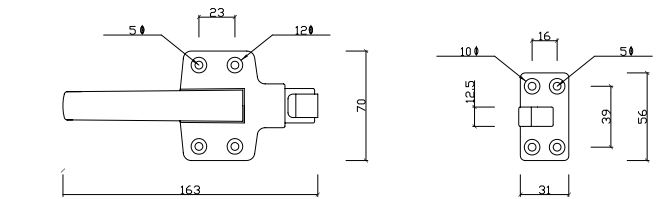


**a.**



| ITEM | STOCK CODE | DESCRIPTION                   | FEATURES                                  | DIMENSIONS<br>W x D x H mm |
|------|------------|-------------------------------|---|----------------------------|
| a.   | GLASS CAP  | Stainless steel glass capping | For application to 4.8mm (3/16") material | 3658mm (12') lengths       |

CRH Series Cabinet Latches & Strikes



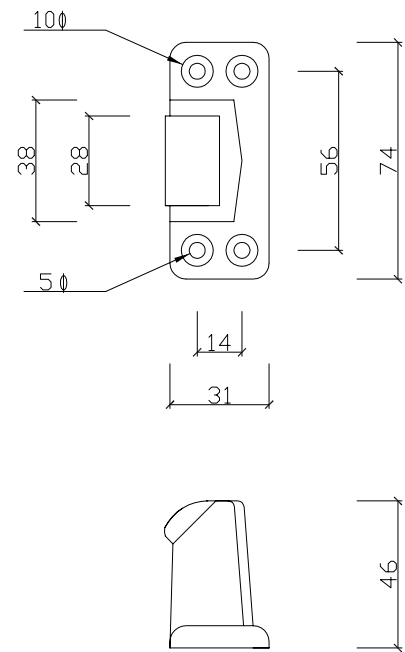
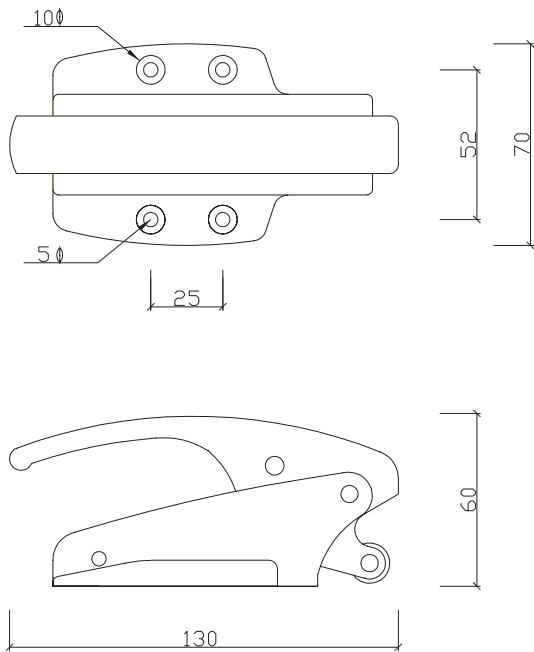
| ITEM | STOCK CODE | DESCRIPTION                                       | MATERIAL      | MOUNTING HOLES                           |
|------|------------|---|---------------|--|
| a.   | C-DLC2     | Cabinet latch with 25mm to 38mm adjustable strike | Chrome plated | Drilled and countersunk for 5.0mm screws |
| b.   | C-DLC/LHB  | Cabinet latch with 40mm offset strike             | Chrome plated | As above                                 |
| c.   | C-DLB/LHA  | Cabinet latch with 19mm to 30mm adjustable strike | Chrome plated | As above                                 |
| d.   | C-DLA/LHC  | Cabinet latch with flush strike                   | Chrome plated | As above                                 |



a.



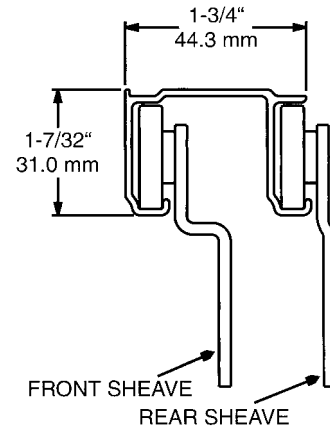
b.



| ITEM | STOCK CODE      | DESCRIPTION  | MATERIAL      | MOUNTING HOLES                           |
|------|-----------------|--|---------------|--|
| a.   | <b>CRH5710X</b> | Refrigeration latch with facility to be secured by padlock | Chrome plated | Drilled and countersunk for 5.0mm screws |
|      | <b>CRH5722X</b> | 19mm to 25mm adjustable 60 degree strike                   | Chrome plated | As above                                 |
| b.   | <b>CRH5723X</b> | 19mm to 25mm adjustable 90 degree strike                   | Chrome plated | As above                                 |

Sliding Door Track & Accessories

**KASON**



**a.**



**b.**

**c.**



**d.**



**e.**



| ITEM | STOCK CODE | DESCRIPTION                                      | MATERIAL   |
|------|------------|--|--|
| a.   | 7318-4     | Front door sheave to suit 19mm door. Steel wheel | Zinc plated with stainless steel bearing and steel wheel |
|      | 7318-6     | Rear door sheave to suit 19mm door. Steel wheel  | Zinc plated with stainless steel bearing and steel wheel |
|      | 7318-5     | Front door sheave to suit 19mm door. Nylon wheel | Zinc plated with stainless steel bearing and nylon wheel |
|      | 7318-7     | Rear door sheave to suit 19mm door. Nylon wheel  | Zinc plated with stainless steel bearing and nylon wheel |
| b.   | 7318-144   | Overhead sliding door track 3650mm (12ft)        | Aluminium  |
| c.   | 7318-10    | Door guide for 19mm door                         | Nylon  |
| d.   | 7318-11    | Spring loaded guide pin with push on speed nuts  | Zinc plated  |
| e.   | 7318-9     | Door stop  | Zinc plated steel with rubber bumper                     |

