

# Contents



Mobile Basket, Plate and Tray Lowerators	G1
In-Counter Plate Lowerators	G3
Mobile Plate Lowerators	G4
Basket and Tray Lowerators	G5
Self Levelling Tray Clearing Trolley	G6
Soup Well	G7
Cup Dispensers	G8
CRH Series Tag-A-Note and Scrapping Ring	G9
Steam Pans	G10
Pots	G12
Grease Filters	G13
Hot Food Bar Equipment	G14
Contactors and Relays	G15
Shelf Brackets	G16
Kason Oven Latch	G17

2THNMS210	G4	OX-MS/C	G5
2THNMS240	G4	OX-MS/D	G5
2THNMS280	G4	OX-MS/E	G5
2THNMS310	G4	OX-MS/F	G5
2TNMS210	G4	POT 11	G12
2TNMS240	G4	POT 41/4	G12
2TNMS280	G4	POT 71/4	G12
2TNMS310	G4	POT COVER 11	G12
841-S-1A-D	G15	POT COVER 41/4	G12
4270S	G16	POT COVER 71/4	G12
7011	G14	R210-C5L-BR	G14
7021	G14	SCRAP-RINGT	G9
AO-1000	G9	SSP-1/1 20	G10
CD1420765	G8	SSP-1/1 20P	G10
CDC2410CSST	G8	SSP-1/1 65	G10
CDCSF2000SS	G8	SSP-1/1 65P	G10
CDCSF1915730-8A	G8	SSP-1/1 100	G10
CDC SS GASKIT	G8	SSP-1/1 100P	G10
DBS-300	G1	SSP-1/1 150	G10
DBS-365/465	G2	SSP-1/1 150P	G10
DBS-500/500	G1	SSP-1/1 COVER	G10
DFR160U	G3	SSP-1/2 65	G11
DFR210H	G3	SSP-1/2 65P	G11
DFR210U	G3	SSP-1/2 100	G11
DFR240H	G3	SSP-1/2 100P	G11
DFR240U	G3	SSP-1/2 150	G11
DFR280COVER	G3	SSP-1/2 150P	G11
DFR280H	G3	SSP-1/2 COVER	G11
DFR280U	G3	SSP-1/3 65	G10
DFR310COVER	G3	SSP-1/3 100	G10
DFR310H	G3	SSP -1/3 150	G10
DFR310U	G3	SSP-1/3 COVER	G10
DFR340U	G3	SSP-1/4 65	G11
FOR-C/B	G5	SSP-1/4 100	G11
FOR-C/C	G5	SSP-1/4 150	G11
FOR-C/D	G5	SSP-1/4 COVER	G11
FOR-C/E	G5	SSP-1/6 65	G11
K03103	G16	SSP-1/6 100	G11
K03104	G16	SSP-1/6 150	G11
K81204	G17	SSP-1/6 COVER	G11
KF01	G13	SSP-1/9 65	G11
KF02	G13	SSP-1/9 100	G11
KF03	G13	SSP-1/9 COVER	G11
KF04	G13	SSP-2/3 65	G10
KF06	G13	SSP-2/3 100	G10
KF09	G13	SSP-2/3 150	G10
M082058	G7	SSP-2/3 COVER	G10
M824028	G6	TR2-540168	G14
MOB957400	G3		
MOB957460	G4		
NO24W G	G14		
NO24W R	G14		
OSW8	G5		
OX-MS/B	G5		

Mobile Basket, Plate and Tray Lowerators

**MOBILE** **CONTAINING**



ITEM	STOCK CODE	DESCRIPTION	CAPACITY
a.	<b>DBS-500/500</b>	<p>Multi spring basket dispenser for baskets 500mm x 500mm</p> <ul style="list-style-type: none"> <li>• Welded and bolted tubular construction with moulded corner elements forming corner buffers and push 'points'</li> <li>• Corner elements fitted with lugs to facilitate fixing of decorative panels by others</li> <li>• Basket carrier mounted in four tubular stanchions onto stainless steel compression springs</li> <li>• Noise compression lining fitted internally to stanchions</li> <li>• Moulded guides to locate basket carrier in stanchions and to locate basket on to basket carrier</li> <li>• Fitted with 4 x 125mm diameter castors, two with brakes</li> <li>• Generally finished in 304 grade stainless steel</li> </ul>	5 x 110mm baskets (approx.)
b.	<b>DBS-300</b>	<p>Multi spring plate dispenser for plates 270mm to 300mm diameter</p> <ul style="list-style-type: none"> <li>• Welded and bolted tubular construction with moulded corner elements forming corner buffers and push 'points'</li> <li>• Corner elements fitted with lugs to facilitate fixing of decorative panels by others</li> <li>• Plate carrier mounted in four tubular stanchions onto stainless steel compression springs</li> <li>• Noise compression lining fitted internally to stanchions</li> <li>• Moulded guides, platform and four powder coated guides to locate plates on to carrier</li> <li>• Fitted with 4 x 125mm diameter castors, two with brakes</li> <li>• Generally finished in 304 grade stainless steel</li> </ul>	50 plates (approx.)

**MOBILE** **CONTAINING**



Shown with decorative panels by others

a.

ITEM	STOCK CODE	DESCRIPTION	CAPACITY
a.	DBS-365/465	<p>Multi spring tray dispenser for trays 356mm x 457mm</p> <ul style="list-style-type: none"> <li>• Welded and bolted tubular construction with moulded corner elements forming corner buffers and push 'points'</li> <li>• Corner elements fitted with lugs to facilitate fixing of decorative panels by others</li> <li>• Tray carrier mounted in four tubular stanchions onto stainless steel compression springs</li> <li>• Noise compression lining fitted internally to stanchions</li> <li>• Moulded guides to locate tray stacker in stanchions and to locate trays on to tray carrier</li> <li>• Fitted with 4 x 125mm diameter castors, two with brakes</li> <li>• Generally finished in 304 grade stainless steel</li> </ul>	75 trays (approx.)

In-Counter Plate Lowerators



ITEM	STOCK CODE	DESCRIPTION	FOR PLATE SIZE mm Other sizes available
a.	<b>DFR160U</b>	Plate lowerator, in counter, unheated	145mm to 160mm round
	<b>DFR210U</b>	Plate lowerator, in counter, unheated	160mm to 210mm round
	<b>DFR240U</b>	Plate lowerator, in counter, unheated	180mm to 235mm round
	<b>DFR280U</b>	Plate lowerator, in counter, unheated	230mm to 280mm round
	<b>DFR310U</b>	Plate lowerator, in counter, unheated	260mm to 310mm round
	<b>DFR340U</b>	Plate lowerator, in counter, unheated	290mm to 340mm round
b.	<b>DFR210H</b>	Plate lowerator, in counter - heated 240V 400 Watts	160mm to 210mm round
	<b>DFR240H</b>	Plate lowerator, in counter - heated 240V 400 Watts	180mm to 235mm round
	<b>DFR280H</b>	Plate lowerator, in counter - heated 240V 400 Watts	230mm to 280mm round
	<b>DFR310H</b>	Plate lowerator, in counter - heated 240V 400 Watts	260mm to 310mm round
c.	<b>DFR280COVER</b>	Cover for heated tubes. Plastic smoke-clear coloured 366mm	-
	<b>DFR310COVER</b>	Cover for heated tubes. Plastic smoke-clear coloured 396mm	-
	<b>MOB957400</b>	Heating element to suit DFR heated lowerators	

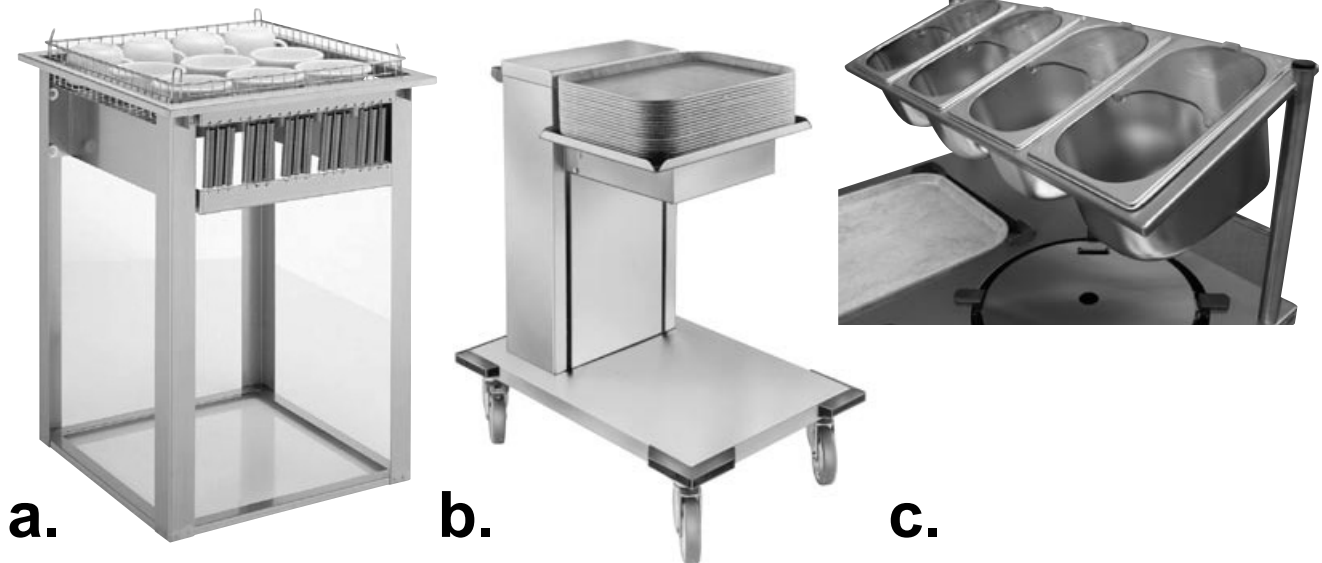
**Important:** Please confirm plate size at time of order



ITEM	STOCK CODE	DESCRIPTION	FOR PLATE SIZE mm
a.	<b>2TNMS210</b>	Mobile plate lowerator 2 stacking units - unheated	160mm to 210mm round
	<b>2TNMS240</b>	Mobile plate lowerator 2 stacking units - unheated	190mm to 240mm round
	<b>2TNMS280</b>	Mobile plate lowerator 2 stacking units - unheated	230mm to 280mm round
	<b>2TNMS310</b>	Mobile plate lowerator 2 stacking units - unheated	260mm to 310mm round
b.	<b>2THNMS210</b>	Mobile plate lowerator 2 stacking units - heated 240V 400Watts	160mm to 210mm round
	<b>2THNMS240</b>	Mobile plate lowerator 2 stacking units - heated 240V 400Watts	190mm to 240mm round
	<b>2THNMS280</b>	Mobile plate lowerator 2 stacking units - heated 240V 400Watts	230mm to 280mm round
	<b>2THNMS310</b>	Mobile plate lowerator 2 stacking units - heated 240V 400Watts	260mm to 310mm round
	<b>MOB957460</b>	Heating element to suit 2TN heated lowerator	

**Important:** Please confirm plate size at time of order

Basket and Tray Lowerators



ITEM	STOCK CODE	DESCRIPTION	SIZE mm
a.	<b>FOR-C/B</b>	Basket lowerator in counter unheated with flange (drop-in)	For baskets 500 x 500
	<b>FOR-C/C</b>	Tray lowerator in counter unheated with flange (drop-in)	For trays 530 x 370
	<b>FOR-C/D</b>	Tray lowerator in counter unheated with flange (drop-in)	For trays 460 x 360
	<b>FOR-C/E</b>	Tray lowerator in counter unheated with flange (drop-in)	For trays 530 x 325 (1/1 Gn)
	<b>OX-MS/B</b>	Mobile unheated cantilevered basket lowerator	For baskets 650 x 530
b.	<b>OX-MS/C</b>	Mobile unheated cantilevered tray lowerator	For 1 stack trays 460 x 360
	<b>OX-MS/D</b>	Mobile unheated cantilevered tray lowerator	For 1 stack trays 530 x 370
	<b>OX-MS/E</b>	Mobile unheated cantilevered tray lowerator	For 1 stack trays 500 x 500
	<b>OX-MS/F</b>	Mobile unheated cantilevered tray lowerator	For 1 stack trays 530 x 325 (1/1 Gn)
c.	<b>OSW8</b>	Designed to suit OX-MS models. Cut outs for four compartments made to order Containers not included. Please see our range of steam pans on pages <b>G9 &amp; G10</b>	

**Important:** Please confirm basket/tray size at time of order

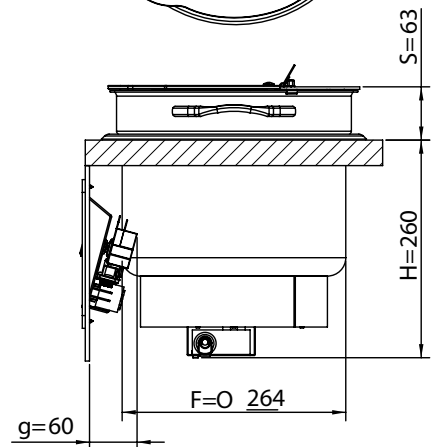
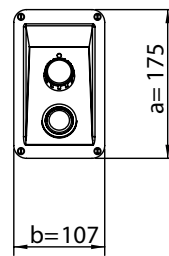
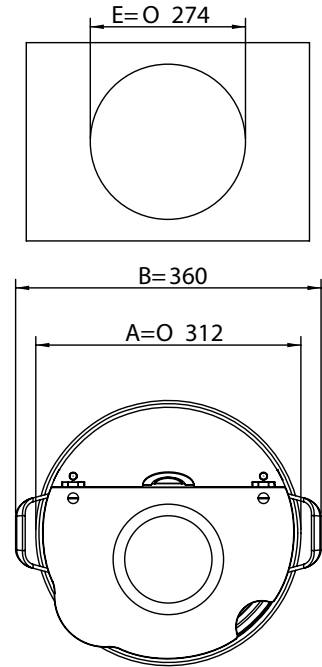
**MOBILE** **CONTAINING**



**a.**

ITEM	STOCK CODE	DESCRIPTION	CAPACITY
a.	M824028	<p>Self levelling tray clearing trolley. Tray platform stays at an almost constant level</p> <p>This has ergonomic benefits for the restaurant customer and the catering staff. No bending or stretching to load trolley in the dining room or unload it in the dishwash area.</p> <ul style="list-style-type: none"> <li>• Holds two trays on each slide</li> <li>• Loading and unloading level between 920mm to 1300mm</li> <li>• Trolley frame manufactured in stainless steel</li> <li>• Tray slides and side panels in aluminium</li> <li>• 4 swivel castors, two with brake in diamond configuration</li> <li>• 4 corner bumpers</li> <li>• 2 ergonomic vertical push bar handles</li> <li>• Weight unloaded approximately 35kg</li> </ul>	20 to 24 trays

**MOBILE** **CONTAINING**



**a.**

ITEM	STOCK CODE	DESCRIPTION	CAPACITY
a.	M082058	<p>In counter heated soup well</p> <ul style="list-style-type: none"> <li>• Inner pan with 2 handles and hinged lid (<math>\frac{1}{3}</math> stainless steel <math>\frac{2}{3}</math> thick toughened glass</li> <li>• Heated heavy duty top mounted drop in soup well with drain holes</li> <li>• To be used wet i.e. 1 litre of water in outer pan</li> <li>• Thermostatically controlled by remote, up to 2 metres, thermostat mounted in bezel</li> <li>• Bezel cut out 45mm wide x 87mm high</li> <li>• Supplied with lift out inner pan and lid</li> <li>• Fitted with cable</li> <li>• 400W</li> <li>• 230V</li> </ul>	10 litres (approximate)



ITEM	STOCK CODE	DESCRIPTION	DIMENSIONS mm
a.	<b>CDCSF2000SS</b>	Modular cup dispenser Stainless steel faced, polypropylene body. For in counter/cabinet mounting. Fits cup rim sizes 57mm to 117mm. Includes #8, #8A and #8B black gaskets	540mm long 140mm diameter cut out
	<b>CD1420765</b>	Gasket Kit for CDCSF2000SS. Includes #8, #8A and #8B black gaskets	
	<b>CDCSF1915730-8A</b>	Medium black gasket #8A to suit CDCSF2000SS	
b.	<b>CDC2410CSST</b>	Stainless steel cup dispenser. For in counter/cabinet mounting. Fits cup rim size 57mm to 117mm	540mm long 120mm diameter cut out
	<b>CDC SS GASKKIT</b>	Gasket kit to suit CDC2410CSST	

CRH Series Tag-A-Note and Scrapping Ring



**a.**



**b.**

ITEM	STOCK CODE	DESCRIPTION	SIZE mm
a.	<b>SCRAP-RINGT</b>	Scrapping ring. Red rubber	Outside Diameter: 280mm Inside Diameter: 190mm Depth: 70mm
b.	<b>AO-1000</b>	Aluminium Tag-A-Note. Suitable for commercial kitchens. Holds orders, menus. Aluminium body with surf mist powder coat	1000mm L x 50mm H x 20mm D



Dimensions are approximate only and may vary due to supply.

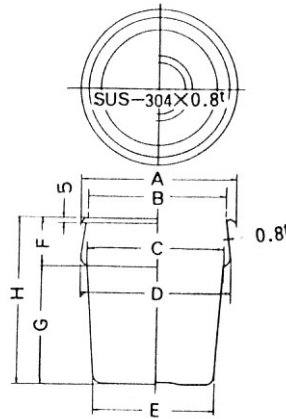
STOCK CODE	DESCRIPTION	OVERALL DIMENSIONS
<b>SSP-1/1 COVER</b>	Full size lid only	530mm x 325mm
<b>SSP-1/1 20</b>	Full size pan - 20mm deep	530mm x 325mm x 20mm
<b>SSP-1/1 65</b>	Full size pan - 65mm deep	530mm x 325mm x 65mm
<b>SSP-1/1 100</b>	Full size pan - 100mm deep	530mm x 325mm x 100mm
<b>SSP-1/1 150</b>	Full size pan - 150mm deep	530mm x 325mm x 150mm
<b>SSP-1/1 20P</b>	Full size pan - 20mm deep Perforated	530mm x 325mm x 20mm
<b>SSP-1/1 65P</b>	Full size pan - 65mm deep Perforated	530mm x 325mm x 65mm
<b>SSP-1/1 100P</b>	Full size pan - 100mm deep Perforated	530mm x 325mm x 100mm
<b>SSP-1/1 150P</b>	Full size pan - 150mm deep Perforated	530mm x 325mm x 150mm
<b>SSP-2/3 COVER</b>	Two third size lid only	352mm x 325mm
<b>SSP-2/3 65</b>	Two third size pan - 65mm deep	352mm x 325mm x 65mm
<b>SSP-2/3 100</b>	Two third size pan - 100mm deep	352mm x 325mm x 100mm
<b>SSP-2/3 150</b>	Two third size pan - 150mm deep	352mm x 325mm x 150mm
<b>SSP-1/3 COVER</b>	One third size lid only	325mm x 176mm
<b>SSP-1/3 65</b>	One third size pan - 65mm deep	325mm x 176mm x 65mm
<b>SSP-1/3 100</b>	One third size pan - 100mm deep	325mm x 176mm x 100mm
<b>SSP -1/3 150</b>	One third size pan - 150mm deep	325mm x 176mm x 150mm



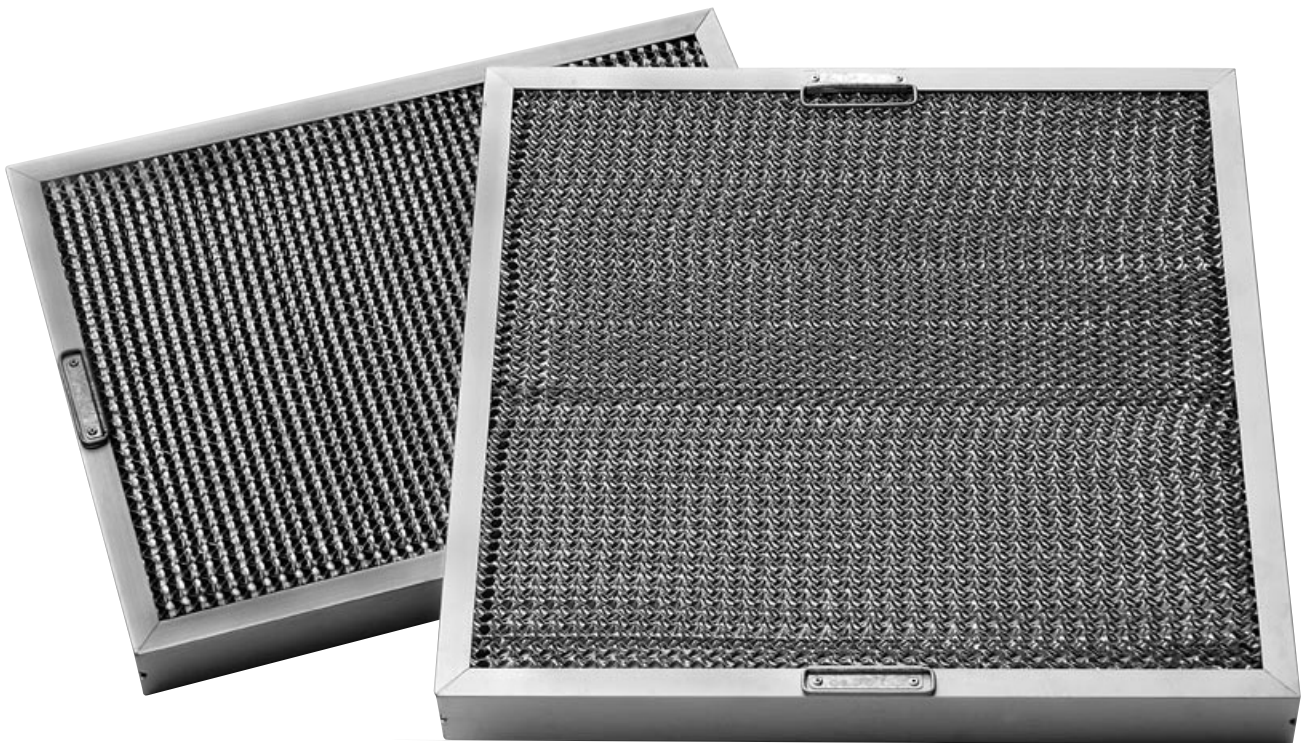
Dimensions are approximate only and may vary due to supply.

STOCK CODE	DESCRIPTION	OVERALL DIMENSIONS
<b>SSP-1/2 COVER</b>	Half size lid only	325mm x 265mm
<b>SSP-1/2 65</b>	Half size pan - 65mm deep	325mm x 265mm x 65mm
<b>SSP-1/2 100</b>	Half size pan - 100mm deep	325mm x 265mm x 100mm
<b>SSP-1/2 150</b>	Half size pan - 150mm deep	325mm x 265mm x 150mm
<b>SSP-1/2 65P</b>	Half size pan - 65mm deep Perforated	325mm x 265mm x 65mm
<b>SSP-1/2 100P</b>	Half size pan - 100mm deep Perforated	325mm x 265mm x 100mm
<b>SSP-1/2 150P</b>	Half size pan - 150mm deep Perforated	325mm x 265mm x 150mm
<b>SSP-1/4 COVER</b>	Quarter size lid only	265mm x 162mm
<b>SSP-1/4 65</b>	Quarter size pan - 65mm deep	265mm x 162mm x 65mm
<b>SSP-1/4 100</b>	Quarter size pan - 100mm deep	265mm x 162mm x 100mm
<b>SSP-1/4 150</b>	Quarter size pan - 150mm deep	265mm x 162mm x 150mm
<b>SSP-1/6 COVER</b>	One sixth size lid only	175mm x 161mm
<b>SSP-1/6 65</b>	One sixth size pan 65mm deep	175mm x 161mm x 65mm
<b>SSP-1/6 100</b>	One sixth size pan 100mm deep	175mm x 161mm x 100mm
<b>SSP-1/6 150</b>	One sixth size pan 150mm deep	175mm x 161mm x 150mm
<b>SSP-1/9 COVER</b>	One ninth size lid only	176mm x 108mm
<b>SSP-1/9 65</b>	One ninth size pan 65mm deep	176mm x 108mm x 65mm
<b>SSP-1/9 100</b>	One ninth size pan 100mm deep	176mm x 108mm x 100mm

a.



ITEM	STOCK CODE	DESCRIPTION & CAPACITY	DIMENSIONS mm								OUTSIDE DIAMETER mm
			A	B	C	D	E	F	G	H	
a.	POT 41/4	Stainless steel round pot, 4¼ litres	183	168	160	182	140	55	155	205	185
	POT 71/4	Stainless steel round pot, 7¼ litres	240	220	208	234	185	60	150	205	240
	POT 11	Stainless steel round pot, 11 litres	288	268	254	178	234	65	150	210	290
	POT COVER 41/4	Stainless steel pot cover 4¼ Litre									
	POT COVER 71/4	Stainless steel pot cover 7¼ Litre									
	POT COVER 11	Stainless steel pot cover 11 Litre									
<b>Other sizes available on request</b>											



**a.**

ITEM	STOCK CODE	DESCRIPTION	SIZE W x L x D	AIRFLOW (L/S)	
				1.8M/S	2.5M/S
a.	<b>KF01</b>	Aluminium honeycomb grease filter	495mm x 394mm x 50mm	350	490
	<b>KF02</b>	Aluminium honeycomb grease filter	495mm x 495mm x 50mm	440	610
	<b>KF03</b>	Aluminium honeycomb grease filter	622mm x 394mm x 50mm	440	610
	<b>KF04</b>	Aluminium honeycomb grease filter	622mm x 495mm x 50mm	555	770
	<b>KF06</b>	Aluminium honeycomb grease filter	594mm x 595mm x 50mm	640	890
	<b>KF09</b>	Aluminium honeycomb grease filter	254mm x 495mm x 50mm	225	315
<p><b>Note:</b> Handles included with grease filters Special sizes can be made on request</p>					



ITEM	STOCK CODE	DESCRIPTION
a.	NO24W G	Pilot light - Green
	NO24W R	Pilot light - Red
b.	TR2-540168	Thermostat kit. 0 to 120°C 15 amp. Includes knob and bezel
c.	7011	Toggle switch. 20 amp 240V SPST
	7021	Toggle switch. 10 amp 240V DPST
d.	R210-C5L-BR	Illuminated rocker switch



**b.**

ITEM	STOCK CODE	DESCRIPTION
b.	841-S-1A-D	30 amp solid state relay

**KASON**

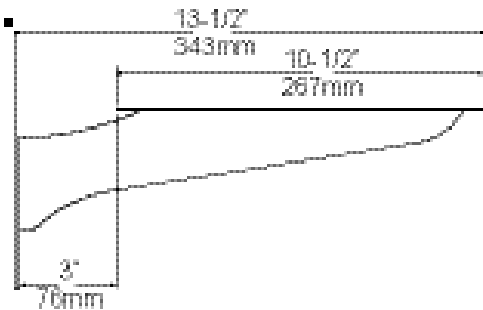
**a.**



**b.**



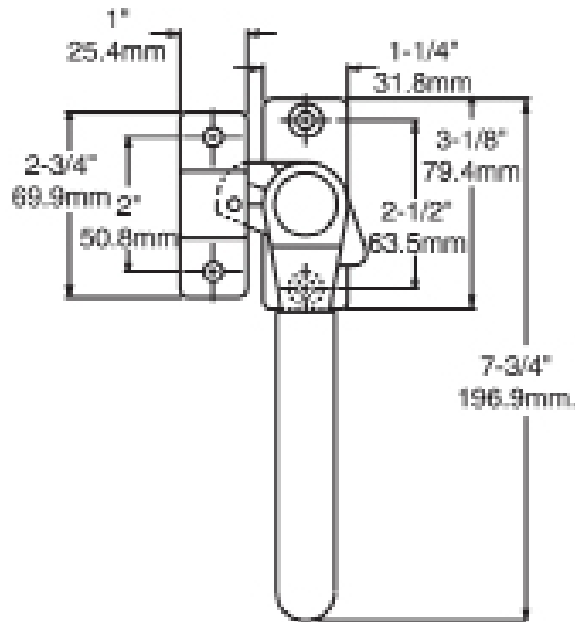
**c.**



ITEM	STOCK CODE	DESCRIPTION	DIMENSIONS LENGTH mm	WEIGHT RATING PER SHELF
a.	4270S	Fold down shelf bracket. Chrome plated with stainless steel shelf mount	Top 180 x 45	Load rating 113.5kg dead weight using 254mm wide shelf with a pair of brackets mounted 610mm apart
b.	K03103	Tray slide bracket. 300# series, 8 gauge stainless steel with #4 satin finish. Three rail saddle. Supports 25mm (1") OD rails. Mounting holes 10mm (3/8") diameter	310	
c.	K03104	Stationary bracket. 300# series, 8 gauge stainless steel with #4 satin finish. Supports a 265mm wide shelf.	343	



Kason Oven Latch



ITEM	STOCK CODE	DESCRIPTION	MATERIAL	MOUNTING
a.	K81204	Kason cam action mechanical latch engineered specifically for heated cabinets where high gasket compression is required. Positive cam action maintains tight seal and allows easy opening under varying temperatures. Easy-grip handle stays cool with hi-temp vinyl insulating sleeve. Flush offset.	Cast ZA12 alloy handle, strike and base, stainless steel pin. Polished finish.	Handle drilled and countersunk and strike drilled for 6.0mm screws

