

Contents



| | |
|---------------------------------|----|
| Strip Lights | I1 |
| AH Series Heat Lamps | I3 |
| A Series Linear Light Fittings | I4 |
| B Series Linear Light Fittings | I5 |
| Recessed Canopy Lights | I6 |
| Fluorescent Tube Covers & Leads | I7 |

| | |
|--------------|----|
| 404111320 | I6 |
| 404111420 | I6 |
| A470-15 | I4 |
| A625-18 | I4 |
| A930-30 | I4 |
| A1230-36 | I4 |
| A1530-58 | I4 |
| A1800-58 | I4 |
| A2100-3030 | I4 |
| A2400-3036 | I4 |
| A2700-3636 | I4 |
| A3000-5836 | I4 |
| A3600-5858 | I4 |
| AH600-1500J | I3 |
| AH1200-2500J | I3 |
| AH1500-3500J | I3 |
| AH1800-4500J | I3 |
| AH2100-4500J | I3 |
| B600-8 | I5 |
| B750-15 | I5 |
| B900-18 | I5 |
| B1200-30 | I5 |
| B1500-36 | I5 |
| B1850-58 | I5 |
| B2100-1830 | I5 |
| B2400-3030 | I5 |
| B2700-3036 | I5 |
| B3000-3636 | I5 |
| B3300-3658 | I5 |
| B3600-5858 | I5 |
| EMCA10 | I3 |
| EMCA20 | I3 |
| M1640 | I7 |
| M1640A | I7 |
| M1641 | I7 |
| M1642 | I7 |
| M1643 | I7 |
| M1644 | I7 |
| QIR240300J | I3 |
| QIR240500J | I3 |
| SFE-10CS | I2 |
| SFE-15 | I1 |
| SFE-18 | I1 |
| SFE-30 | I1 |
| SFE-36 | I1 |

Strip Lights

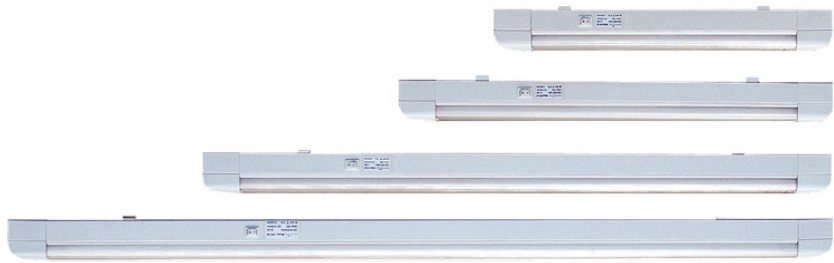
T8 Single Lamp Fluorescent Series

Features

- Available in 15W/18W/30W/36Watts
- Electronic Ballast
- Comply with minimum energy performance standards.
- Individually switched.
- Lamp Included
- Day Light

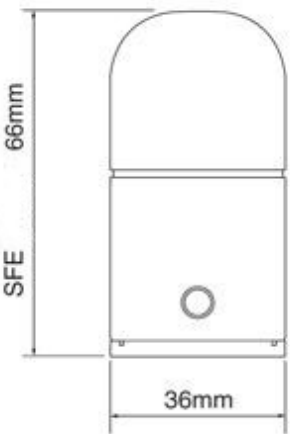
Technical Data

- Certified CS8050N
- Uses standard T8 Triphos lamp
- 5000k
- EEL complies
- 230-240 Volt
- Operates within AS-NZ EMC limits
- Can be mounted on combustible material.



**Important: These are NOT a waterproof fitting.
Moisture or cold temperatures may affect the electronics.**

Electronic Control Gear - Must not be installed on a circuit with inductive loads.

| | STOCK CODE | MAX WATTS | DIMENSIONS L x W x H mm | MOUNTING HOLES DISTANCE FROM END | CABLE ENTRY DISTANCE FROM END |
|--|---------------|-----------|-------------------------|----------------------------------|-------------------------------|
| <p>End profile</p>  | SFE-15 | 15 | 520 X 36 X 66 | 128mm | 165mm |
| | SFE-18 | 18 | 670 x 36 x 66 | 145mm | 220mm |
| | SFE-30 | 30 | 975 x 36 x 66 | 170mm | 215mm |
| | SFE-36 | 36 | 1280 x 36 x 66 | 197mm | 390mm |

T8 Single Lamp Fluorescent with cord set

Features

- Available in 10 Watts
- Electronic Ballast
- Comply with minimum energy performance standards.
- Individually switched.
- Lamp Included
- Day Light

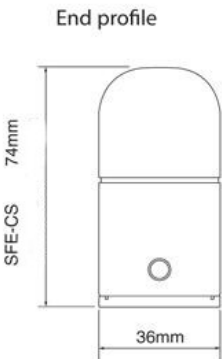
Technical Data

- Certified CS8050N
- Uses standard T8 Triphos lamp
- 5000k
- EEI complies
- 230-240 Volt
- Operates within AS-NZ EMC limits
- Can be mounted on combustible material.



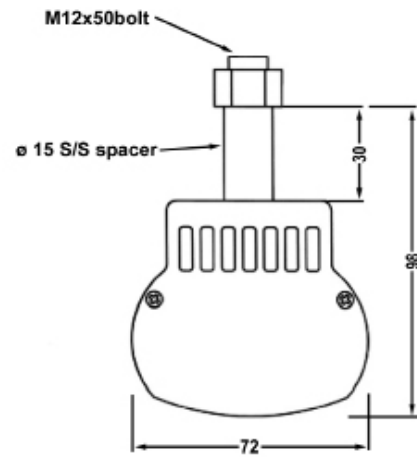
**Important: These are NOT a waterproof fitting.
Moisture or cold temperatures may affect the electronics.**

Electronic Control Gear - Must not be installed on a circuit with inductive loads.

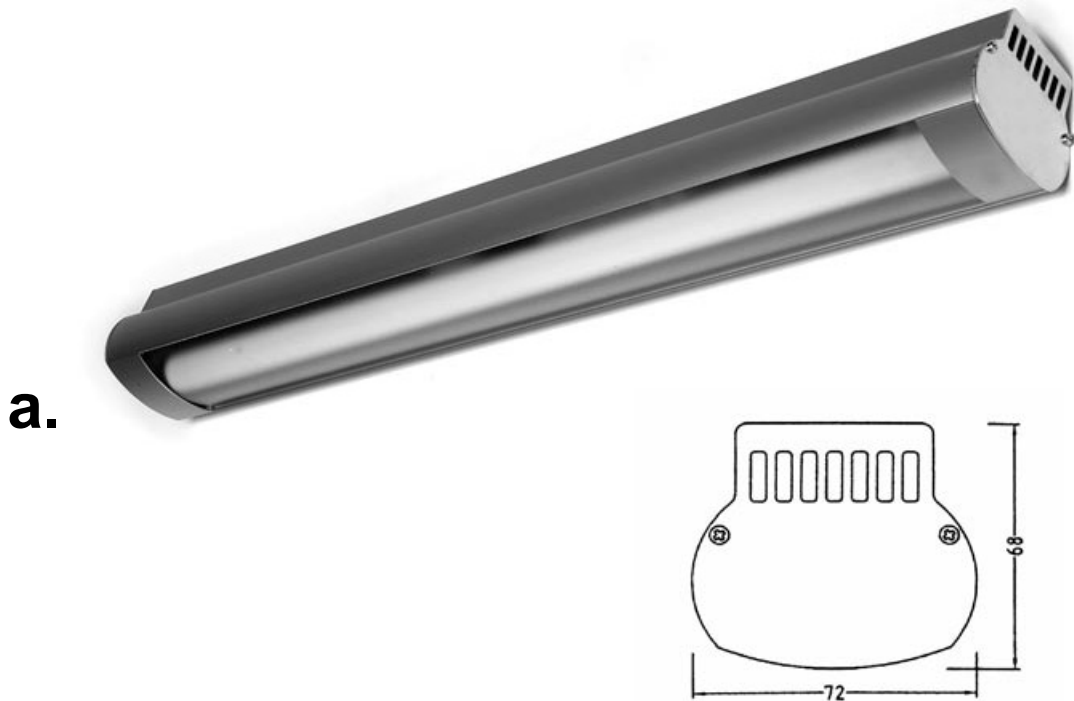
| | STOCK CODE | MAX WATTS | DIMENSIONS L x W x H mm | CABLE LENGTH | MOUNTING HOLES DISTANCE FROM END | CABLE ENTRY DISTANCE FROM END |
|--|-----------------|-----------|-------------------------|--------------|----------------------------------|-------------------------------|
| <p>End profile</p>  | SFE-10CS | 10 | 412 x 36 x 74 | 1800mm | 116mm | 130mm |

AH Series Heat Lamps

a.



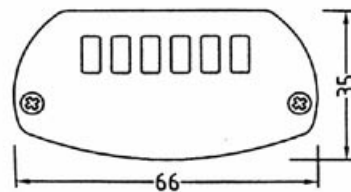
| ITEM | STOCK CODE | DESCRIPTION | FEATURES | DIMENSIONS LENGTH mm |
|------|--------------|--|---|-------------------------|
| a. | AH600-1500J | 'A' Series heat lamp 1 x 500W QH Lamp | Choice of anodised finishes: <ul style="list-style-type: none"> • Matt Silver • Matt Gold • Bright Dip Silver Custom lengths available on request | 600 |
| | AH1200-2500J | 'A' Series heat lamp 2 x 500W QH lamp | | 1200 |
| | AH1500-3500J | 'A' Series heat lamp 3 x 500W QH lamp | | 1500 |
| | AH1800-4500J | 'A' Series heat lamp 4 x 500W QH lamp | | 1800 |
| | AH2100-4500J | 'A' Series heat lamp 4 x 500W QH lamp | | 2100 |
| | QIR240300J | 240V 300W QH Lamp R7s quick fit contacts | | - |
| | QIR240500J | 240V 500W QH Lamp R7s quick fit contacts | | - |
| | EMCA10 | R7s lamp holders 10A 250V M14 nut mount | | - |
| | EMCA20 | R7s lamp holders 10A 250V Flange mount | | - |



| ITEM | STOCK CODE | DESCRIPTION | FEATURES | DIMENSIONS LENGTH mm |
|------|-------------------|--|--|-------------------------|
| a. | A470-15 | 'A' Series fluorescent light 1 x 15W | <p>Choice of anodised finishes:</p> <ul style="list-style-type: none"> • Matt Silver • Matt Gold • Bright Dip Silver <p>Choice of powdercoat finishes:</p> <ul style="list-style-type: none"> • Gloss Black powder coat • Gloss White powder coat <p>Flexible polycarbonate diffuser</p> <p>Custom lengths available on request</p> | 470 |
| | A625-18 | 'A' Series fluorescent light 1 x 18W | | 625 |
| | A930-30 | 'A' Series fluorescent light 1 x 30W | | 930 |
| | A1230-36 | 'A' Series fluorescent light 1 x 36W | | 1230 |
| | A1530-58 | 'A' Series fluorescent light 1 x 58W | | 1530 |
| | A1800-58 | 'A' Series fluorescent light 1 x 58W | | 1800 |
| | A2100-3030 | 'A' Series fluorescent light 2 x 30W | | 2100 |
| | A2400-3036 | 'A' Series fluorescent light 1 x 30W & 1 x 36W | | 2400 |
| | A2700-3636 | 'A' Series fluorescent light 2 x 36W | | 2700 |
| | A3000-5836 | 'A' Series fluorescent light 1 x 58W & 1 x 36W | | 3000 |
| | A3600-5858 | 'A' Series fluorescent light 2 x 58W | | 3600 |

B Series Linear Light Fittings

a.



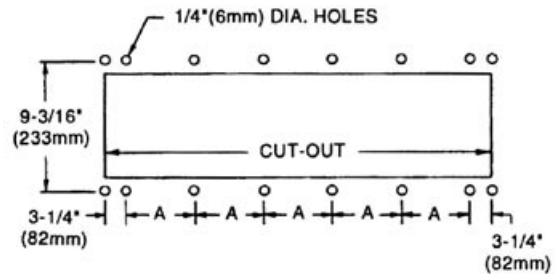
| ITEM | STOCK CODE | DESCRIPTION | FEATURES | DIMENSIONS LENGTH mm |
|------|-------------------|--|--|----------------------|
| a. | B600-8 | 'B' Series fluorescent light 1 x 8W | | 600 |
| | B750-15 | 'B' Series fluorescent light 1 x 15W | | 750 |
| | B900-18 | 'B' Series fluorescent light 1 x 18W | Choice of anodised finishes: <ul style="list-style-type: none"> • Matt Silver • Matt Gold • Bright Dip Silver | 900 |
| | B1200-30 | 'B' Series fluorescent light 1 x 30W | | 1200 |
| | B1500-36 | 'B' Series fluorescent light 1 x 36W | | 1500 |
| | B1850-58 | 'B' Series fluorescent light 1 x 58W | Choice of powdercoat finishes: <ul style="list-style-type: none"> • Gloss Black powder coat • Gloss White powder coat | 1850 |
| | B2100-1830 | 'B' Series fluorescent light 1 x 18W & 1 x 30W | | 2100 |
| | B2400-3030 | 'B' Series fluorescent light 2 x 30W | Flexible polycarbonate diffuser | 2400 |
| | B2700-3036 | 'B' Series fluorescent light 1 x 30W & 1 x 36W | Custom lengths available on request | 2700 |
| | B3000-3636 | 'B' Series fluorescent light 2 x 36W | | 3000 |
| | B3300-3658 | 'B' Series fluorescent light 1 x 36W & 1 x 58W | | 3300 |
| | B3600-5858 | 'B' Series fluorescent light 2 x 58W | | 3600 |

a.

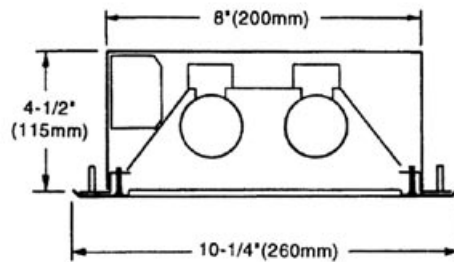


FEATURES:

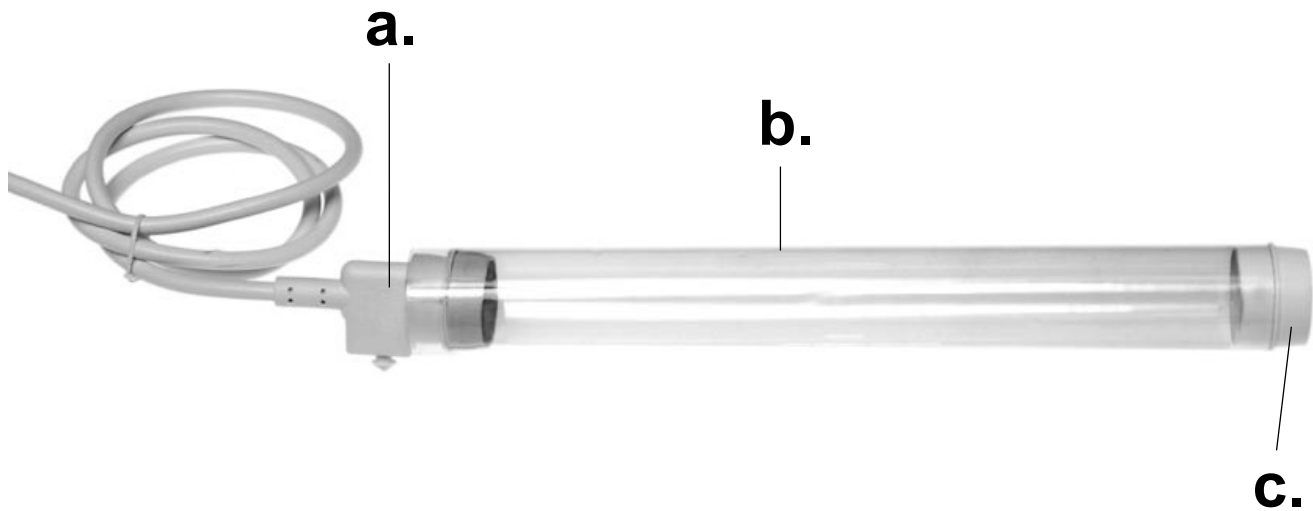
- Extruded stainless steel face plate
- 3mm reinforced glass diffuser
- Designed for canopy hood installation
- All units furnished with mounting brackets
- Waterproof, heatproof and greaseproof construction



MOUNTING CUT-OUT DIAGRAM



| ITEM | STOCK CODE | DESCRIPTION | WATTS | LAMPS (Included) | CUT OUT REQUIRED |
|------|------------|------------------------------|-------|------------------|------------------|
| a. | 404111320 | Recessed canopy light 900mm | 60 | 2 x 30W | 960mm x 236mm |
| | 404111420 | Recessed canopy light 1200mm | 72 | 2 x 36W | 1260mm x 236mm |



| ITEM | STOCK CODE | DESCRIPTION | DIMENSIONS LENGTH mm |
|------|------------|---------------------------------|----------------------|
| a. | M1640A | Fluorescent tube lead | 3000 |
| b. | M1640 | Fluorescent tube cover slimline | 600 |
| | M1643 | Fluorescent tube cover slimline | 900 |
| | M1642 | Fluorescent tube cover slimline | 1200 |
| | M1641 | Fluorescent tube cover slimline | 1500 |
| c. | M1644 | Fluorescent tube cover end cap | - |

