

Contents



CRH Series Stainless Steel Adjustable Legs	B1
Adjustable Legs	B2
CRH Series Stainless Steel Adjustable Feet	B4
CRH Series Threaded Leg Inserts	B6
CRH Series Stainless Steel Clad Adjustable Feet for round tube	B7
CRH Series Chrome Plated Alloy Adjustable Feet For Square Tube	B8
CRH Series Nylon Adjustable Feet	B9
Tube Closures	B10
A-justa-Foot	B11

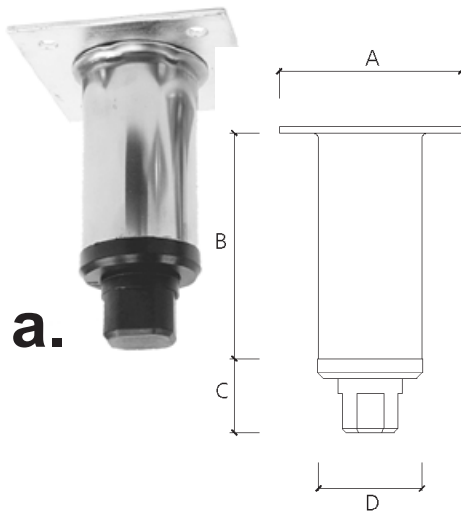
10/19/M8	B14	20/60/M12/65	B11	81/25/M8	B16	CRH10-50X	B6
10/25/M8	B14	20/60/M16/65	B11	81/25/M10	B16	F0204	B2
10/25/M10	B14	20/60/M16/150	B11	81/25/M12	B16	F0206	B2
10/25/M12	B14	20/60/M20/100	B11	81/32/M10	B16	F0504	B2
10/25/M16	B14	20/60/M20/165	B11	81/32/M12	B16	GLIDE	B5
10/30/M8	B14	20/90/M12/65	B11	81/32/M16	B16	HDA221/90/M16/70	B18
10/30/M10	B14	20/90/M16/65	B11	81/38/M10	B16	HDA221/90/M16/170	B18
10/30/M12	B14	20/90/M16/150	B11	81/38/M12	B16	HDA221/90/M20/70	B18
10/30/M16	B14	20/90/M20/100	B11	81/38/M16	B16	HDA221/90/M20/170	B18
10/32/M8	B14	20/90/M20/165	B11	81/51/M12	B16	HDA221/90/M24/70	B18
10/32/M10	B14	21/40/M8/80	B11	81/51/M16	B16	HDA221/90/M24/170	B18
10/32/M12	B14	21/40/M10/60	B11	81/62/M16	B16	HDA221/125/M16/70	B18
10/32/M16	B14	21/60/M12/65	B11	121/40/M8/60	B17	HDA221/125/M16/170	B18
10/35/M10	B14	21/60/M16/65	B11	121/40/M10/60	B17	HDA221/125/M20/70	B18
10/35/M12	B14	21/60/M16/165	B11	121/60/M12/90	B17	HDA221/125/M20/170	B18
10/35/M16	B14	21/60/M20/100	B11	121/60/M12/190	B17	HDA221/125/M24/70	B18
10/38/M10	B14	21/60/M20/165	B11	121/60/M16/90	B17	HDA221/125/M24/170	B18
10/38/M12	B14	21/90/M12/65	B11	121/60/M16/190	B17	HDA231/90/M16/70	B18
10/38/M16	B14	21/90/M16/65	B11	121/60/M20/90	B17	HDA231/90/M16/170	B18
10/40/M10	B14	21/90/M16/165	B11	121/60/M20/190	B17	HDA231/90/M20/70	B18
10/40/M12	B14	21/90/M20/100	B11	121/60/M24/90	B17	HDA231/90/M20/170	B18
10/40/M16	B14	21/90/M20/165	B11	121/60/M24/190	B17	HDA231/90/M24/70	B18
10/51/M10	B14	30/40/M8/35*	B12	121/90/M12/90	B17	HDA231/90/M24/170	B18
10/51/M12	B14	30/40/M8/60*	B12	121/90/M12/190	B17	HDA231/125/M16/70	B18
10/51/M16	B14	30/40/M10/35*	B12	121/90/M16/90	B17	HDA231/125/M16/170	B18
11/25/M8	B15	30/40/M10/60*	B12	121/90/M16/190	B17	HDA231/125/M20/70	B18
11/25/M10	B15	30/60/M12/65	B12	121/90/M20/90	B17	HDA231/125/M20/170	B18
11/25/M12	B15	30/60/M16/65	B12	121/90/M20/190	B17	HDA231/125/M24/70	B18
11/25/M16	B15	30/60/M16/150	B12	121/90/M24/90	B17	HDA231/125/M24/170	B18
11/30/M8	B15	30/60/M20/100	B12	121/90/M24/190	B17	K7503-301	B10
11/30/M10	B15	30/60/M20/165	B12	121/125/M12/90	B17	LS125X	B1
11/30/M12	B15	30/90/M12/65	B12	121/125/M16/90	B17	LS150X	B1
11/30/M16	B15	30/90/M16/65	B12	121/125/M16/190	B17	LS200X	B1
11/32/M8	B15	30/90/M16/150	B12	121/125/M20/90	B17	LS250X	B1
11/32/M10	B15	30/90/M20/100	B12	121/125/M20/190	B17	LTR32/M10	B16
11/32/M12	B15	30/90/M20/165	B12	121/125/M24/90	B17	LTR32/M12	B16
11/32/M16	B15	31/40/M8/80*	B12	121/125/M24/190	B17	LTR38/M10	B16
11/35/M10	B15	31/40/M10/60*	B12	1740000257	B3	LTR38/M12	B16
11/35/M12	B15	31/60/M12/65	B12	1742000358	B3	LTR51/M12	B16
11/35/M16	B15	31/60/M16/65	B12	1742000360	B3	LTS19/M8	B14
11/38/M10	B15	31/60/M16/165	B12	A10-0651	B7	LTS25/M10	B14
11/38/M12	B15	31/60/M20/100	B12	CRH05-25X	B6	LTS25/M12	B14
11/38/M16	B15	31/60/M20/165	B12	CRH05-25X-12	B6	LTS32/M10	B14
11/40/M10	B15	31/90/M12/65	B12	CRH06-32X	B6	LTS32/M12	B14
11/40/M12	B15	31/90/M16/65	B12	CRH06-32X-12	B6	LTS38/M10	B14
11/40/M16	B15	31/90/M16/165	B12	CRH07-38X	B6	LTS38/M12	B14
11/51/M10	B15	31/90/M20/100	B12	CRH08-38DX	B4	LTS38/M16	B14
11/51/M12	B15	31/90/M20/165	B12	CRH08-50DLX	B4	LTS40/M10	B14
11/51/M16	B15	40/40/M8/35	13	CRH08-50DX	B4	LTS40/M12	B14
11/51/M20	B15	40/40/M10/35	13	CRH08-70X	B4	LTS51/M10	B14
20/40/M8/35	B11	40/60/M12/60	13	CRH08PX	B5	LTS51/M12	B14
20/40/M8/60	B11	41/40/M8/35	13	CRH08X	B4	LTS51/M16	B14
20/40/M10/35	B11	41/40/M10/35	13	CRH09-70X	B5	MPSS	B1
20/40/M10/60	B11	41/60/M12/60	13	CRH09X	B5	MPZP	B1

Part Number Index

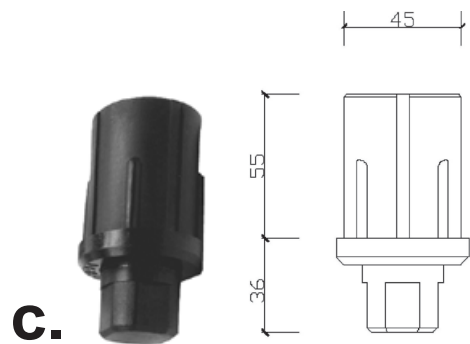
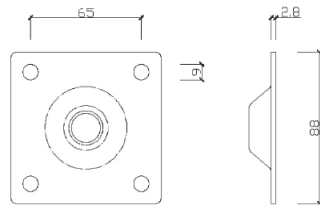


N791-1x3/8	B6
N791-11/2x3/8	B6
N791-11/4x3/8	B6
P780 X 1 1/2BL	B10
P780 X 1 1/4BL	B10
P780 X 1BL	B10
P780 X 2BLX	B10
P2000BL	B10
PLI	B1
PLI	B9
PLIB	B9
PLI-LONG	B1
PLI-LONG	B9
RH01-25X	B9
RH01-25XB	B9
RH02-32X	B9
RH02-32XB	B9
RH03-38X	B9
RH03-38XB	B9
SPEC LEG	B1
TC25RND	B10
TC32RND	B10
TC38RND	B10
TO-25FL	B8
TO-25X	B8
TO-32FL	B8
TO-32X	B8
TO-38X	B8
TO-59-25	B10
TO-59-32	B10
TO-108PG	B9

CRH Series Stainless Steel Adjustable Legs



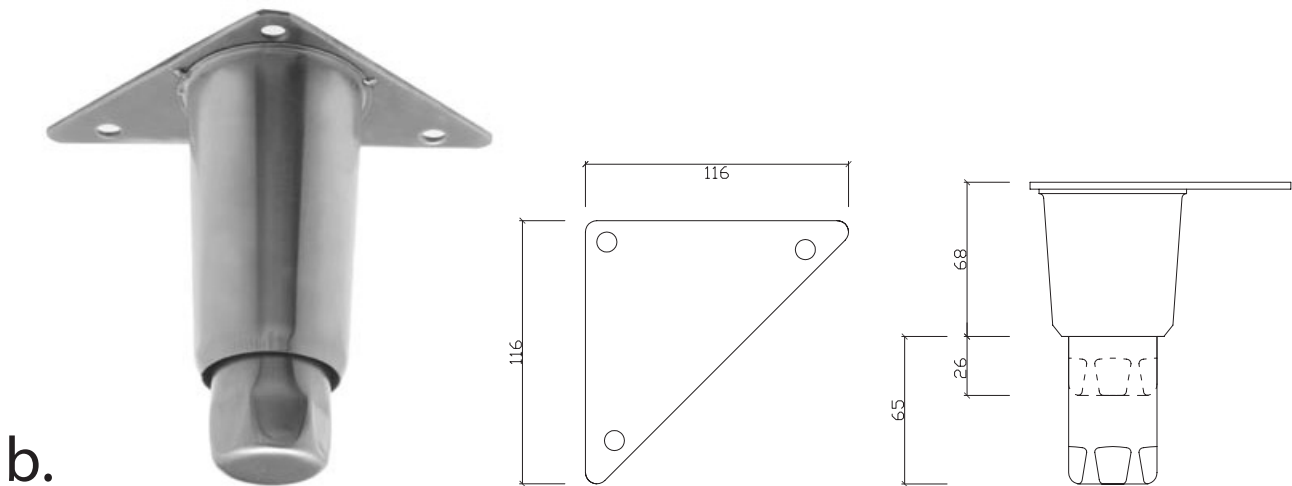
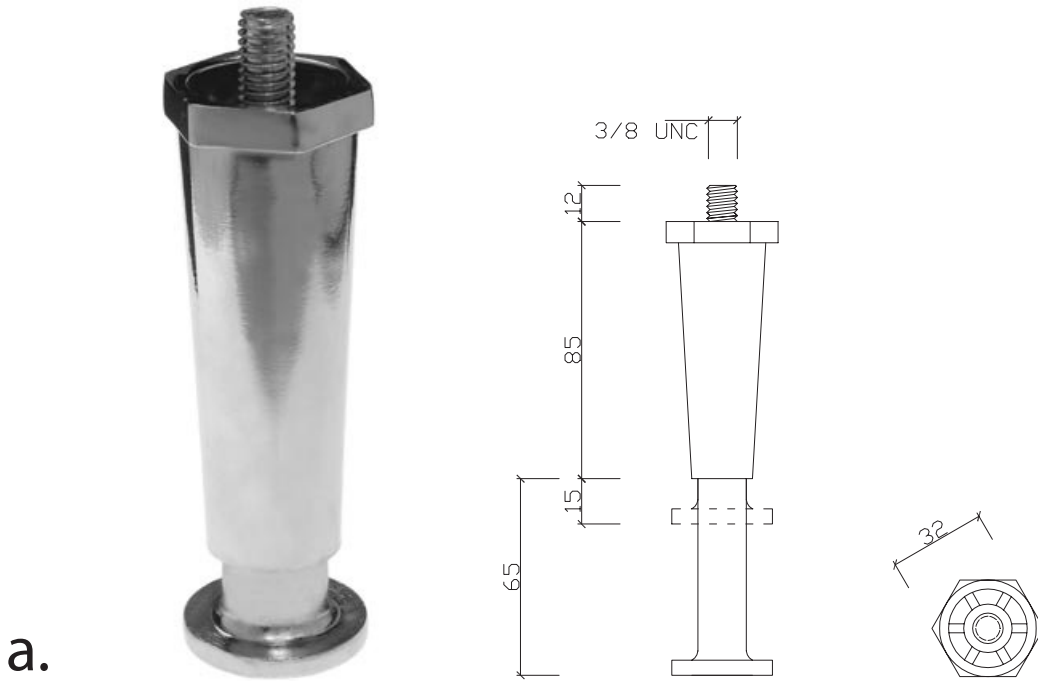
CRH SERIES STAINLESS STEEL APPLIANCE LEGS					
MEASUREMENTS					
STOCK CODE	OVERALL LENGTH	(A) MOUNTING PLATE	(B) STAINLESS STEEL LEG	(C) NYLON FOOT BEFORE ADJUSTMENT	(D) TUBE WIDTH
LS125X	125-155mm	89mm	85mm	36mm	50mm
LS150X	150-180mm	89mm	110mm	36mm	50mm
LS200X	200-230mm	89mm	160mm	36mm	50mm
LS250X	250-280mm	89mm	210mm	36mm	50mm



ITEM	STOCK CODE	DESCRIPTION	SIZE mm	TUBE DIAM. mm	ADJUSTMENT HEIGHT mm
a.	LS125X	Stainless steel appliance leg, with adjustable nylon insert and zinc plated mounting plate	125	50	30
	LS150X	Stainless steel appliance leg, with adjustable nylon insert and zinc plated mounting plate	150	50	30
	LS200X	Stainless steel appliance leg, with adjustable nylon insert and zinc plated mounting plate	200	50	30
	LS250X	Stainless steel appliance leg, with adjustable nylon insert and zinc plated mounting plate	250	50	30
	SPEC LEG	Special length stainless steel leg, mounting plate and adjustable insert	-	50	30
b.	MPZP	Zinc plated mounting plate, 3/4" BSW	88x88	-	-
	MPSS	Stainless steel mounting plate, 3/4" BSW	88x88	-	-
c.	PLI	Nylon adjustable leg insert. To fit 50mm round tube. 1.2 or 1.6mm wall thickness	-	-	30
	PLI-LONG	Nylon adjustable leg insert. To fit 50mm round tube. 1.2 or 1.6mm wall thickness	-	-	50

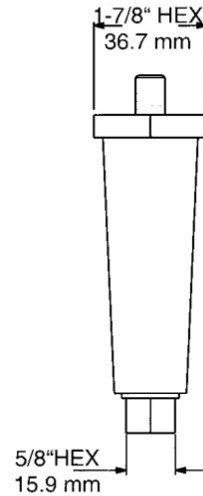
Static Load Rating 400kg

Note: All above legs 304 Stainless Steel. Above legs can be made to any length to suit your requirements

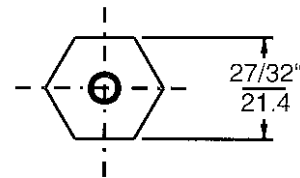


ITEM	STOCK CODE	DESCRIPTION	SIZE mm	ADJUSTMENT HEIGHT mm
a.	F0504	Satin chrome appliance leg with 3/8" thread	100	45
b.	F0204	Stainless steel appliance leg with fixed triangular mounting plate	100	30
	F0206	Stainless steel appliance leg with fixed triangular mounting plate	150	30
Static Load Rating 400kg				

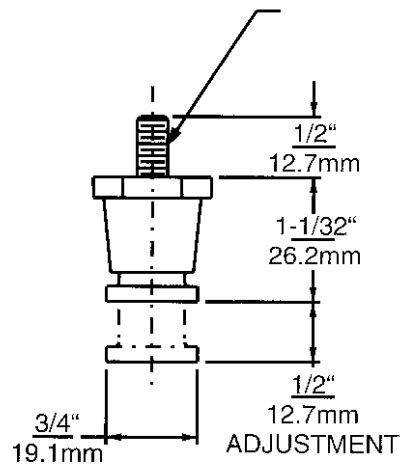
Adjustable Legs



a.

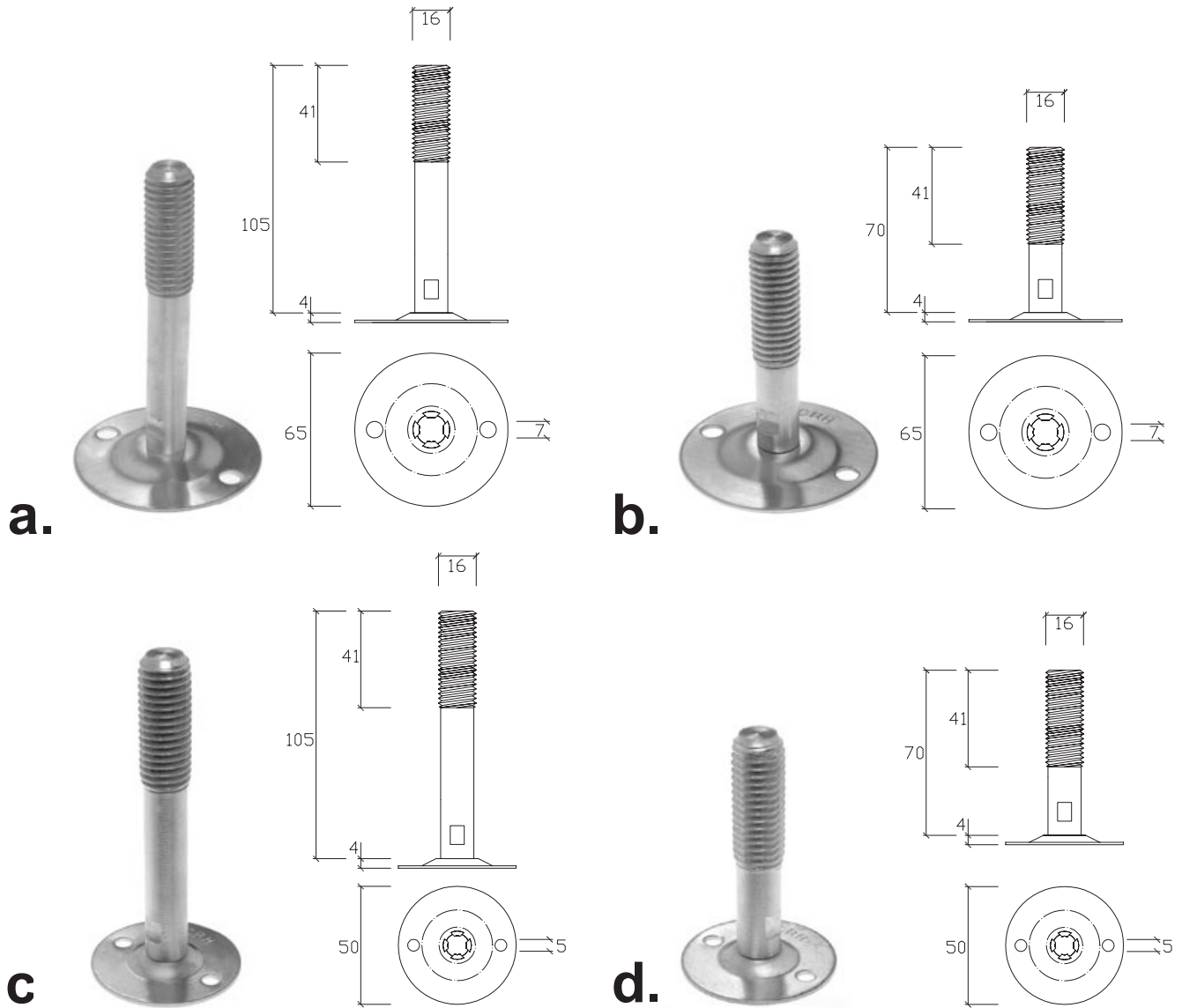


b.



c.

ITEM	STOCK CODE	DESCRIPTION	TOE TYPE	ADJUSTMENT HEIGHT mm	MOUNTING STUD	HEIGHT mm
a.	1740000257	Black thermoplastic leg. Static load rating 34.1kg	HEX	34.9	3/8"-16 through stud	101.6
b.	1742000358	Thermoplastic leg with chrome finish and black rubber foot. Static load rating 23kg	ROUND	12.7	1/4-20	26
c.	1742000360	Thermoplastic leg	ROUND	12.7	3/8"	26

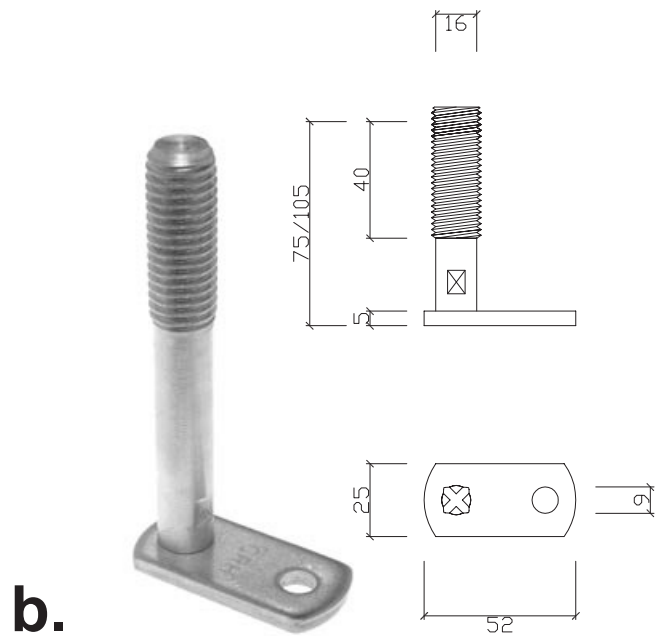
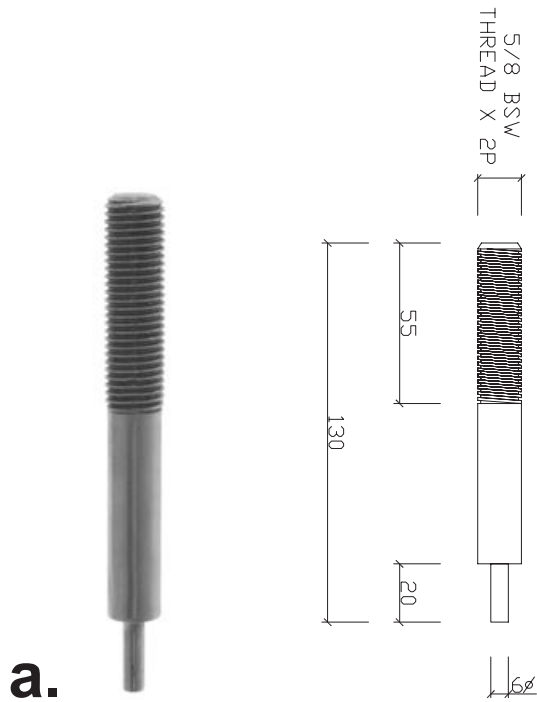


ITEM	STOCK CODE	DESCRIPTION	FOOT SIZE mm	STEM HEIGHT mm
a.	CRH08X	Stainless steel disc foot. M16 thread.	65	105
b.	CRH08-70X	Stainless steel disc foot. M16 thread.	65	70
c.	CRH08-50DLX	Stainless steel disc foot. M16 thread.	50	105
d.	CRH08-50DX	Stainless steel disc foot. M16 thread.	50	70
Static Load Rating 400kg				
	CRH08-38DX	Stainless steel disc foot. 12mm thread	38	70

Note: All above legs 304 Stainless Steel.

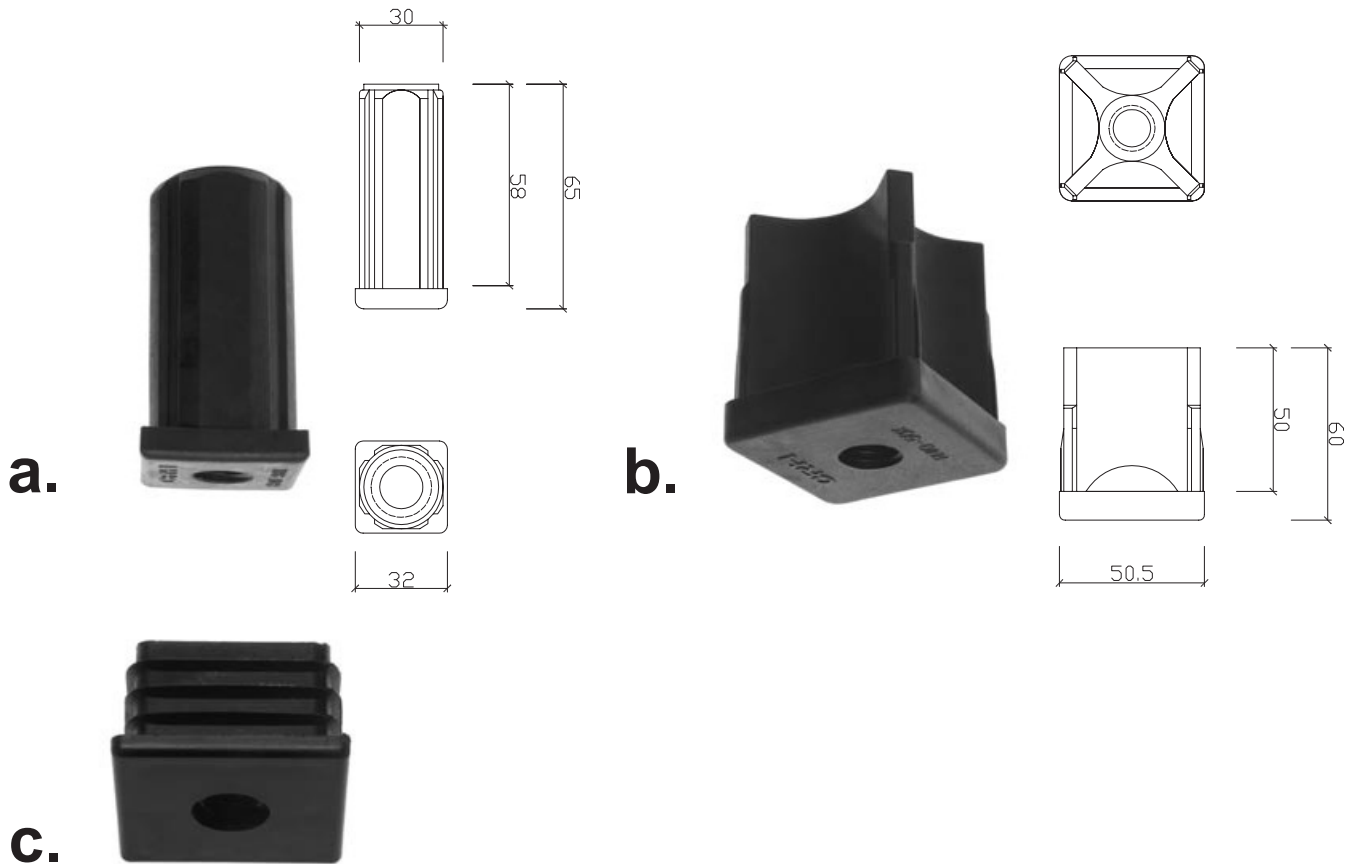
Refer to Leg Inserts on page B6

CRH Series Stainless Steel Adjustable Feet



ITEM	STOCK CODE	DESCRIPTION	FOOT SIZE mm	STEM HEIGHT mm
a.	CRH08PX	Stainless steel pin foot. M16 thread.	5	110
b.	CRH09X	Stainless steel lug foot. M16 thread.	52 x 25	105
c.	CRH09-70X	Stainless steel lug foot. M16 thread.	52 x 25	70
Static Load Rating 400kg				
d.	GLIDE	Metal shell, nylon base foot. 3/8" BSW thread	35 dia	38

Refer to Leg Inserts on page B6



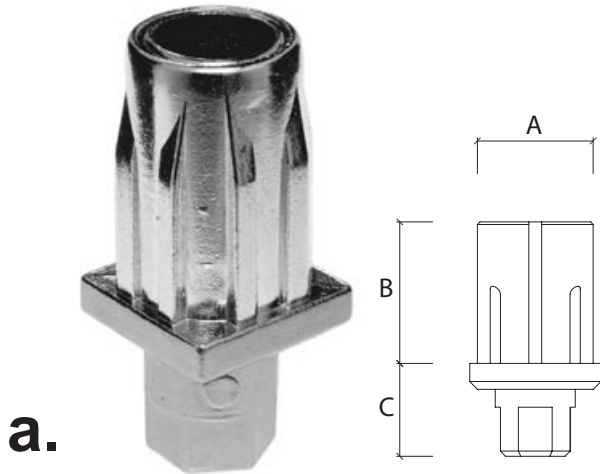
ITEM	STOCK CODE	DESCRIPTION	THREAD SIZE	TO FIT TUBE MEASURING
	CRH05-25X	Nylon leg insert	M16	25mm square 1.2mm or 1.6mm wall thickness
a.	CRH06-32X	Nylon leg insert	M16	32mm square 1.2mm or 1.6mm wall thickness
	CRH07-38X	Nylon leg insert	M16	38mm square 1.2mm or 1.6mm wall thickness
	CRH05-25X-12	Nylon leg insert	12 mm	25mm 1.2mm or 1.6mm wall thickness
	CRH06-32X-12	Nylon leg insert	12 mm	32mm 1.2mm or 1.6mm wall thickness
b.	CRH10-50X	Nylon leg insert	M16	50mm square 1.2mm or 1.6mm wall thickness
Static Load Rating 400kg				
c.	N791-1x3/8	Glide insert	3/8" BSW	25mm square 1.2mm wall thickness
	N791-11/4x3/8	Glide insert	3/8" BSW	32mm square 1.2mm wall thickness
	N791-11/2x3/8	Glide insert	3/8" BSW	38mm square 1.2mm wall thickness

CRH Series Stainless Steel Clad Adjustable Feet For Round Tube B7

a.



ITEM	STOCK CODE	DESCRIPTION	TO FIT TUBE MEASURING	ADJUSTMENT HEIGHT mm
a.	A10-0651	Stainless steel clad adjustable foot	38mm round 1.2mm wall thickness	35
Static Load Rating 400kg				



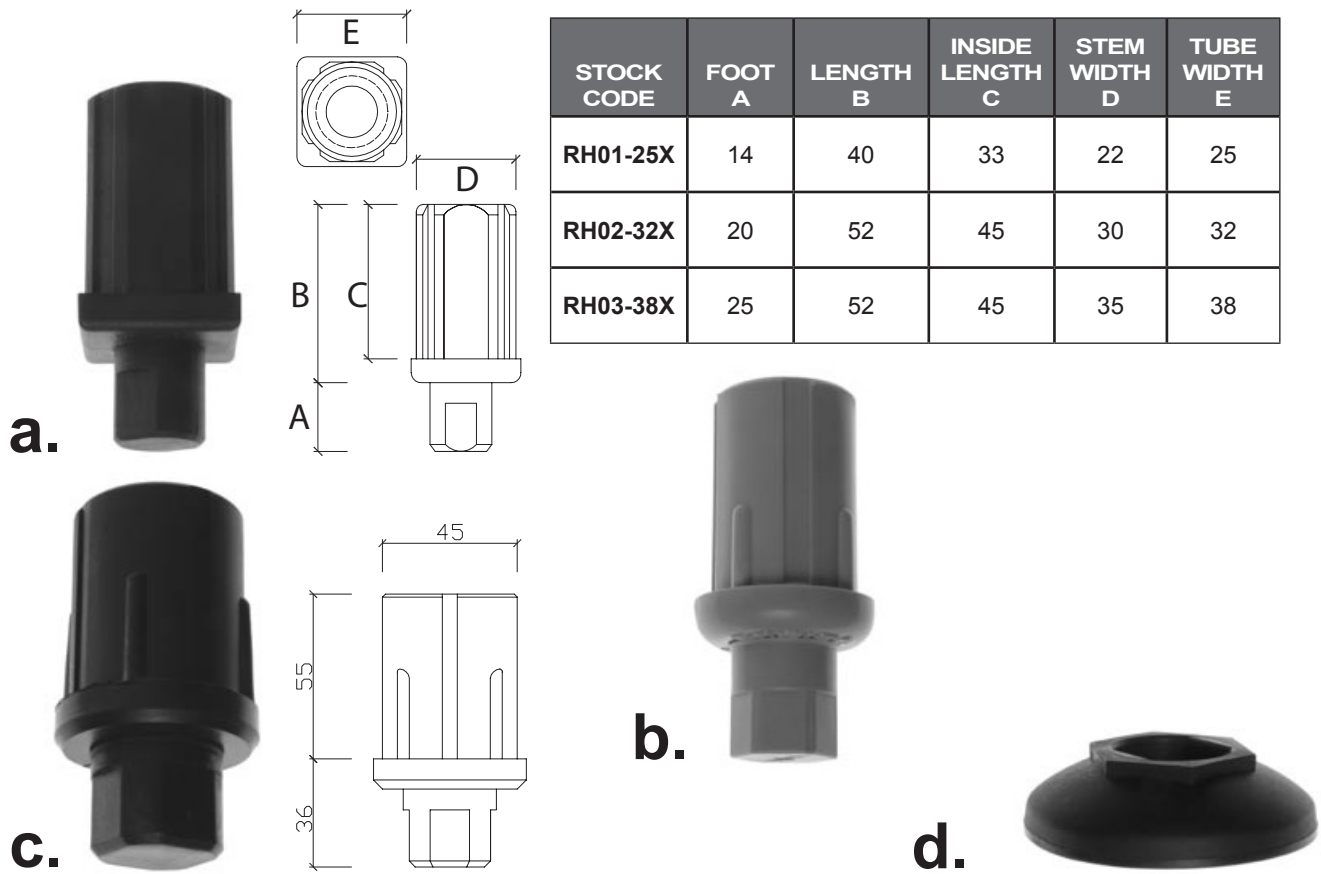
STOCK CODE	STEM WIDTH A	STEM LENGTH B	STANDARD HEIGHT C
TO-25X	22	32	15
TO-32X	29	43	30
TO-38X	35	43	30



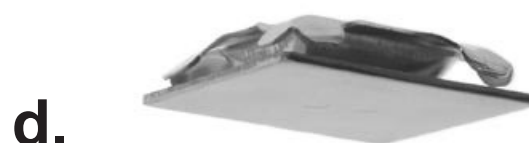
STOCK CODE	STEM WIDTH A	STEM LENGTH B	STANDARD HEIGHT C
TO-25FL	22	32	15
TO-32FL	29	43	30

ITEM	STOCK CODE	DESCRIPTION	TO FIT TUBE MEASURING	ADJUSTMENT HEIGHT mm
a.	TO-25X	Die cast chrome plate adjustable foot	25mm square 1.2mm wall thickness	25
	TO-32X	Die cast chrome plate adjustable foot	32mm square 1.2mm wall thickness	33
	TO-38X	Die cast chrome plate adjustable foot	38mm square 1.2mm wall thickness	35
b.	TO-25FL	Die cast chrome plate adjustable flanged foot	25mm square 1.2mm wall thickness	20
	TO-32FL	Die cast chrome plate adjustable flanged foot	32mm square 1.2mm wall thickness	35

CRH Series Nylon Adjustable Feet



ITEM	STOCK CODE	DESCRIPTION	TO FIT TUBE MEASURING	ADJUSTMENT HEIGHT mm
a.	RH01-25X	Nylon adjustable foot	25mm square 1.2 or 1.6 wall thickness	20
	RH02-32X	Nylon adjustable foot	32mm square 1.2 or 1.6 wall thickness	25
	RH03-38X	Nylon adjustable foot	38mm square 1.2 or 1.6 wall thickness	25
b.	TO-108PG	Grey plastic adjustable foot	18G 38mm round	20
c.	PLI	Nylon adjustable foot	50mm round 1.2 or 1.6 wall thickness	30
	PLI-LONG	Nylon adjustable foot	50mm round 1.2 or 1.6 wall thickness	50
Static Load Rating 400kg				
d.	RH01-25XB	Base plate for RH01-25X		
	RH02-32XB	Base plate for RH02-32X		
	RH03-38XB	Base plate for RH03-38X		
	PLIB	Base plate for PLI and PLI-LONG		



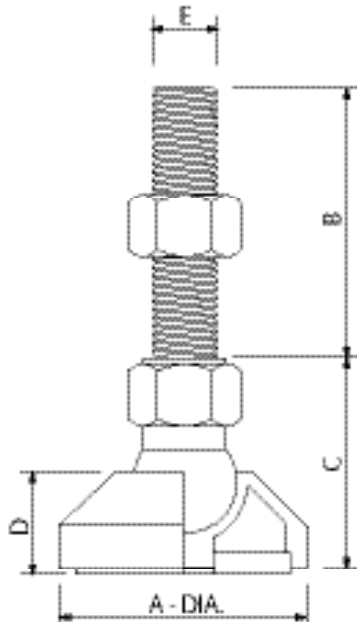
ITEM	STOCK CODE	DESCRIPTION	TO FIT TUBE MEASURING
a.	K7503-301	Nickel plated tube closure	25mm round 1.2 or 1.6 wall thickness
b.	P780 X 1BL	Plastic tube closure	25mm square 1.2 or 1.6 wall thickness
	P780 X 1 1/4BL	Plastic tube closure	32mm square 1.2 or 1.6 wall thickness
	P780 X 1 1/2BL	Plastic tube closure	38mm square 1.2 or 1.6 wall thickness
c.	P780 X 2BLX	Plastic tube closure	50mm square 1.2 or 1.6 wall thickness
d.	TO-59-25	Stainless steel tube closure	25mm square
	TO-59-32	Stainless steel tube closure	32mm square
e.	TC25RND	Plastic tube closure	25mm round 1.2 or 1.6 wall thickness
	TC32RND	Plastic tube closure	32mm round 1.2 or 1.6 wall thickness
	TC38RND	Plastic tube closure	38mm round 1.2 or 1.6 wall thickness
	P2000BL	Plastic tube closure	25mm x 50mm 1.2 or 1.6 wall thickness

A-Justa-Foot



Ball Jointed A-Justa-Foot Mild Steel

STOCK CODE	SIZE mm	A	B	C	D	E	RATING
20/40/M8/60	40xM8	40	60	33	20	M8	350kg
20/40/M8/35	40xM8	40	35	33	20	M8	350kg
20/40/M10/60	40xM10	40	60	33	20	M10	500kg
20/40/M10/35	40xM10	40	35	33	20	M10	500kg
20/60/M12/65	60xM12	60	65	51	25	M12	800kg
20/60/M16/65	60xM16	60	65	51	25	M16	1000kg
20/90/M12/65	90xM12	90	65	51	25	M12	800kg
20/90/M16/65	90xM16	90	65	51	25	M16	1000kg
20/60/M16/150	60xM16	60	150	51	25	M16	1000kg
20/90/M16/150	90xM16	90	150	51	25	M16	1000kg
20/60/M20/100	60xM20	60	100	51	25	M20	1000kg
20/60/M20/165	60xM20	60	165	51	25	M20	1000kg
20/90/M20/100	90xM20	90	100	51	25	M20	1000kg
20/90/M20/165	90xM20	90	165	51	25	M20	1000kg

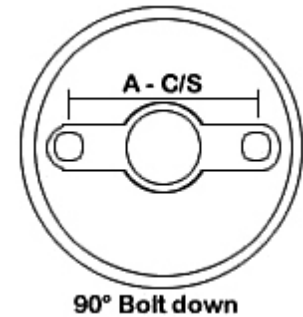
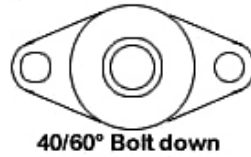


Anti Slip / Vibration Pad



Ball Jointed A-Justa-Foot Stainless Steel

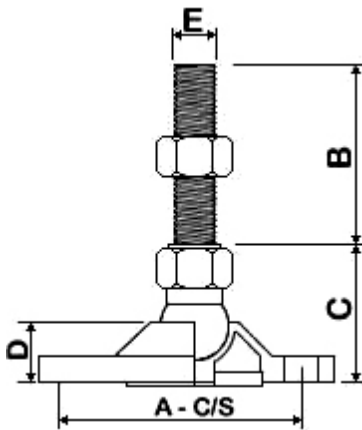
STOCK CODE	SIZE mm	A	B	C	D	E	RATING
21/40/M8/80	40xM8	40	80	33	20	M8	350kg
21/40/M10/60	40xM10	40	60	33	20	M10	500kg
21/60/M12/65	60xM12	60	65	51	25	M12	800kg
21/60/M16/65	60xM16	60	65	51	25	M16	1000kg
21/90/M12/65	90xM12	90	65	51	25	M12	800kg
21/90/M16/65	90xM16	90	65	51	25	M16	1000kg
21/60/M16/165	60xM16	60	165	51	25	M16	1000kg
21/90/M16/165	90xM16	90	165	51	25	M16	1000kg
21/60/M20/100	60xM20	60	100	51	25	M20	1000kg
21/60/M20/165	60xM20	60	165	51	25	M20	1000kg
21/90/M20/100	90xM20	90	100	51	25	M20	1000kg
21/90/M20/165	90xM20	90	165	51	25	M20	1000kg



A-JUSTA-FOOT is available in other stud lengths (B) as required.

Bolt Down A-Justa-Foot Mild Steel

STOCK CODE	SIZE mm	A	B	C	D	E	RATING
30/40/M8/60*	40xM8	60	60	33	20	M8	350kg
30/40/M8/35*	40xM8	60	35	33	20	M8	350kg
30/40/M10/60*	40xM10	60	60	33	20	M10	500kg
30/40/M10/35*	40xM10	60	35	33	20	M10	500kg
30/60/M12/65	60xM12	80	65	51	23	M12	800kg
30/60/M16/65	60xM16	80	65	51	23	M16	1000kg
30/60/M16/150	60xM16	80	150	51	23	M16	1000kg
30/60/M20/100	60xM20	80	100	51	23	M20	1000kg
30/60/M20/165	60xM20	80	165	51	23	M20	1000kg
30/90/M12/65	90xM12	60	65	51	25	M12	800kg
30/90/M16/65	90xM16	60	65	51	25	M16	1000kg
30/90/M16/150	90xM16	60	150	51	25	M16	1000kg
30/90/M20/100	90xM20	60	100	51	25	M20	1000kg
30/90/M20/165	90xM20	60	165	51	25	M20	1000kg



* Denotes also available with single hole flange

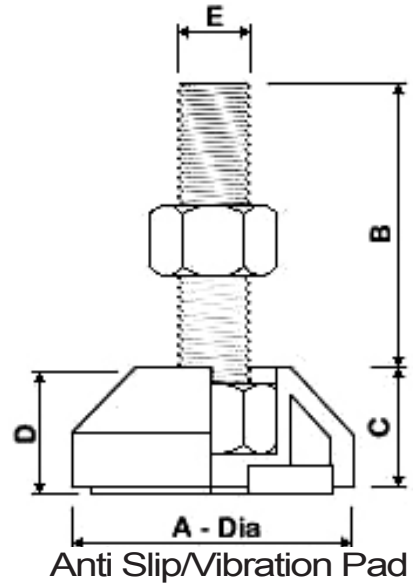


Single hole bolt down flange - 40°

Bolt Down A-Justa-Foot Stainless Steel

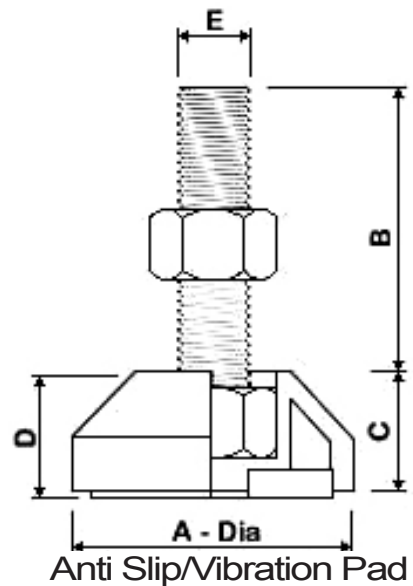
STOCK CODE	SIZE mm	A	B	C	D	E	RATING
31/40/M8/80*	40xM8	60	80	33	20	M8	350kg
31/40/M10/60*	40xM10	60	60	33	20	M10	500kg
31/60/M12/65	60xM12	80	65	51	23	M12	800kg
31/60/M16/65	60xM16	80	65	51	23	M16	1000kg
31/60/M16/165	60xM16	80	165	51	23	M16	1000kg
31/60/M20/100	60xM20	80	100	51	23	M20	1000kg
31/60/M20/165	60xM20	80	165	51	23	M20	1000kg
31/90/M12/65	90xM12	60	65	51	25	M12	800kg
31/90/M16/65	90xM16	60	65	51	25	M16	1000kg
31/90/M16/165	90xM16	60	165	51	25	M16	1000kg
31/90/M20/100	90xM20	60	100	51	25	M20	1000kg
31/90/M20/165	90xM20	60	165	51	25	M20	1000kg

A-Justa-Foot



Fixed A-Justa-Foot Mild Steel

STOCK CODE	SIZE mm	A	B	D	E	RATING
40/40/M8/35	40xM8	40	35	20	M8	350kg
40/40/M10/35	40xM10	40	35	20	M10	500kg
40/60/M12/60	60xM12	60	60	25	M12	800kg

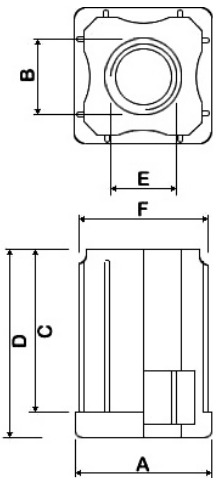


Fixed A-Justa-Foot Stainless Steel

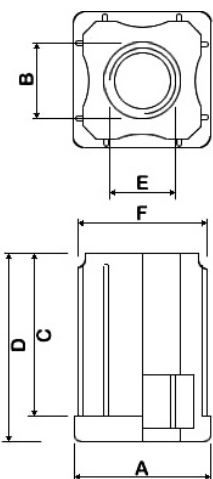
STOCK CODE	SIZE mm	A	B	D	E	RATING
41/40/M8/35	40xM8	40	35	20	M8	350kg
41/40/M10/35	40xM10	40	35	20	M10	500kg
41/60/M12/60	60xM12	60	60	25	M12	800kg

Square Threaded Tube End Mild Steel

(G) is recommended ID tube size



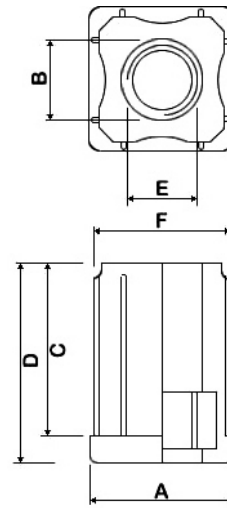
STOCK CODE	SIZE mm	A	B	C	D	E	F	G	RATING
10/19/M8	19xM8	19	M8	22.5	24.8	9	16	15-16	50kg
10/25/M8	25xM8	25	M8	39	44	10	23.5	22-23	250kg
10/25/M10	25xM10	25	M10	39	44	11	23.5	22-23	250kg
10/25/M12	25xM12	25	M12	39	44	13	23.5	22-23	250kg
10/25/M16	25xM16	25	M16	39	44	16.5	23.5	22-23	250kg
10/30/M8	30xM8	30	M8	39	45	10	26.8	26-27	350kg
10/30/M10	30xM10	30	M10	39	45	11	26.8	26-27	350kg
10/30/M12	30xM12	30	M12	39	45	13	26.8	26-27	350kg
10/30/M16	30xM16	30	M16	39	45	16.5	26.8	26-27	350kg
10/32/M8	32xM8	32	M8	39	45	10	30	28-29	350kg
10/32/M10	32xM10	32	M10	39	45	11	30	28-29	350kg
10/32/M12	32xM12	32	M12	39	45	13	30	28-29	350kg
10/32/M16	32xM16	32	M16	39	45	16.5	30	28-29	350kg
10/35/M10	35xM10	35	M10	39	45	11	32.2	31-32	400kg
10/35/M12	35xM12	35	M12	39	45	13	32.2	31-32	400kg
10/35/M16	35xM16	35	M16	39	45	16.5	32.2	31-32	400kg
10/38/M10	38xM10	38	M10	41	45	12	36	35-36	500kg
10/38/M12	38xM12	38	M12	41	45	13	36	35-36	500kg
10/38/M16	38xM16	38	M16	41	45	18	36	35-36	500kg
10/40/M10	40xM10	40	M10	39	45	11	36.8	36-37	350kg
10/40/M12	40xM12	40	M12	39	45	13	36.8	36-37	350kg
10/40/M16	40xM16	40	M16	39	45	16.5	36.8	36-37	350kg
10/51/M10	51xM10	51	M10	39	47	11	48	47-48	750kg
10/51/M12	51xM12	51	M12	39	47	13	48	47-48	750kg
10/51/M16	51xM16	51	M16	39	47	18	48	47-48	750kg



Long Threaded Square Tube End

STOCK CODE	SIZE mm	A	B	C	D	E	F	G	T	RATING
LTS19/M8	19xM8	19	M8	22.5	24.8	9	16	15-16	16	50kg
LTS25/M10	25xM10	25	M10	39	44	11	23.5	22-23	24	100kg
LTS25/M12	25xM12	25	M12	39	44	13	23.5	22-23	24	100kg
LTS32/M10	32xM10	32	M10	39	45	11	30	28-29	24	150kg
LTS32/M12	32xM12	32	M12	39	45	13	30	28-29	24	150kg
LTS38/M10	38xM10	38	M10	41	45	11	36	35-36	24	200kg
LTS38/M12	38xM12	38	M12	41	45	13	36	35-36	24	200kg
LTS38/M16	38xM16	38	M16	41	45	17.7	36	35-36	31	200kg
LTS40/M10	40xM10	40	M10	39	45	11	36.6	36-37	24	500kg
LTS40/M12	40xM12	40	M12	39	45	13	36.6	36-37	24	500kg
LTS51/M10	51xM10	51	M10	39	47	11	48	47-48	24	500kg
LTS51/M12	51xM12	51	M12	39	47	13	48	47-48	24	750kg
LTS51/M16	51xM16	51	M16	39	47	18	48	47-48	31	750kg

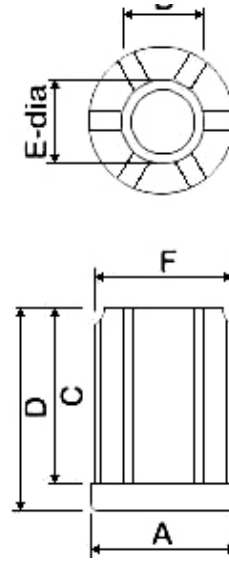
A-Justa-Foot



Square Threaded Tube End Stainless Steel

(G) is recommended ID tube size

STOCK CODE	SIZE mm	A	B	C	D	E	F	G	RATING
11/25/M8	25xM8	25	M8	39	44	10	23.5	22-23	250kg
11/25/M10	25xM10	25	M10	39	44	11	23.5	22-23	250kg
11/25/M12	25xM12	25	M12	39	44	13	23.5	22-23	250kg
11/25/M16	25xM16	25	M16	39	44	16.5	23.5	22-23	250kg
11/30/M8	30xM8	30	M8	39	45	10	26.8	26-27	350kg
11/30/M10	30xM10	30	M10	39	45	11	26.8	26-27	350kg
11/30/M12	30xM12	30	M12	39	45	13	26.8	26-27	350kg
11/30/M16	30xM16	30	M16	39	45	16.5	26.8	26-27	350kg
11/32/M8	32xM8	32	M8	39	45	10	30	28-29	350kg
11/32/M10	32xM10	32	M10	39	45	11	30	28-29	350kg
11/32/M12	32xM12	32	M12	39	45	13	30	28-29	350kg
11/32/M16	32xM16	32	M16	39	45	16.5	30	28-29	350kg
11/35/M10	35xM10	35	M10	39	45	11	32.2	31-32	400kg
11/35/M12	35xM12	35	M12	39	45	13	32.2	31-32	400kg
11/35/M16	35xM16	35	M16	39	45	16.5	32.2	31-32	400kg
11/38/M10	38xM10	38	M10	41	45	12	36	35-36	500kg
11/38/M12	38xM12	38	M12	41	45	13	36	35-36	500kg
11/38/M16	38xM16	38	M16	41	45	18	36	35-36	500kg
11/40/M10	40xM10	40	M10	39	45	11	36.8	36-37	350kg
11/40/M12	40xM12	40	M12	39	45	13	36.8	36-37	350kg
11/40/M16	40xM16	40	M16	39	45	16.5	36.8	36-37	350kg
11/51/M10	51xM10	51	M10	39	47	11	48	47-48	750kg
11/51/M12	51xM12	51	M12	39	47	13	48	47-48	750kg
11/51/M16	51xM16	51	M16	39	47	18	48	47-48	750kg
11/51/M20	51xM20	51	M20	39	47	18	48	47-48	750kg



Round Threaded Tube End Stainless Steel

(G) is recommended ID tube size

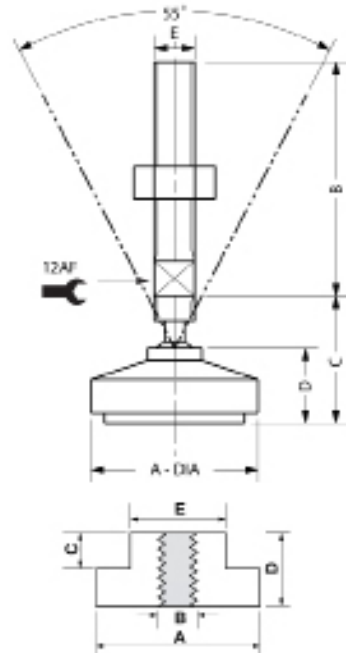
STOCK CODE	SIZE mm	A	B	C	D	E	F	G	RATING
81/25/M8	25xM8	25	M8	38	46.5	11	23	22	100kg
81/25/M10	25xM10	25	M10	38	46.5	12	23	22	100kg
81/25/M12	25xM12	25	M12	38	46.5	14	23	22	100kg
81/32/M10	32xM10	32	M10	39	45	12	29.5	28-29	250kg
81/32/M12	32xM12	32	M12	39	45	14	29.5	28-29	250kg
81/32/M16	32xM16	32	M16	39	45	18	29.5	28-29	250kg
81/38/M10	38xM10	38	M10	38	45	12	35.5	35-36	300kg
81/38/M12	38xM12	38	M12	38	45	14	35.5	35-36	300kg
81/38/M16	38xM16	38	M16	38	45	18	35.5	35-36	300kg
81/51/M12	51xM12	51	M12	38	45	14	48	47-48	450kg
81/51/M16	51xM16	51	M16	38	45	18	48	47-48	450kg
81/62/M16	62xM16	62	M16	38	45	18	60.5	60-61	450kg

LT Long Threaded Round Tube End

Zinc plated mild steel thread. For use with castor wheels.

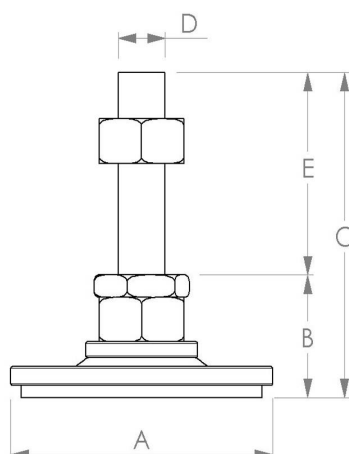
STOCK CODE	SIZE mm	A	B	C	D	E	F	G	RATING
LTR32/M10	25xM8	25	M8	38	46.5	11	23	22	100kg
LTR32/M12	25xM10	25	M10	38	46.5	12	23	22	100kg
LTR38/M10	25xM12	25	M12	38	46.5	14	23	22	100kg
LTR38/M12	32xM10	32	M10	39	45	12	29.5	28-29	250kg
LTR51/M12	32xM12	32	M12	39	45	14	29.5	28-29	250kg

A-Justa-Foot



Heavy Duty A-Justa-Foot Stainless Steel Complete With Anti Slip Pads

STOCK CODE	SIZE mm	A	B	C	D	E	RATING
121/40/M8/60	40xM8	40	60	30	18	M8	500kg
121/40/M10/60	40xM10	40	60	30	18	M10	700kg
121/60/M12/90	60xM12	60	90	44	25	M12	1200kg
121/60/M12/190	60xM12x190	60	190	44	25	M12	1200kg
121/60/M16/90	60xM16	60	90	44	25	M16	2000kg
121/60/M16/190	60xM16x190	60	190	44	25	M16	2000kg
121/60/M20/90	60xM20	60	90	44	25	M20	3500kg
121/60/M20/190	60xM20x190	60	190	44	25	M20	3500kg
121/60/M24/90	60xM24	60	90	44	25	M24	4500kg
121/60/M24/190	60xM24x190	60	190	44	25	M24	4500kg
121/90/M12/90	90xM12	90	90	44	25	M12	1200kg
121/90/M12/190	90xM12x190	90	190	44	25	M12	1200kg
121/90/M16/90	90xM16	90	90	44	25	M16	2000kg
121/90/M16/190	90xM16x190	90	190	44	25	M16	2000kg
121/90/M20/90	90xM20	90	90	44	25	M20	3500kg
121/90/M20/190	90xM20x190	90	190	44	25	M20	3500kg
121/90/M24/90	90xM24	90	90	44	25	M24	4500kg
121/90/M24/190	90xM24x190	90	190	44	25	M24	4500kg
121/125/M12/90	125xM12	125	90	44	25	M12	1200kg
121/125/M16/90	125xM16	125	90	44	25	M16	2000kg
121/125/M16/190	125xM16x190	125	190	44	25	M16	2000kg
121/125/M20/90	125xM20	125	90	44	25	M20	3500kg
121/125/M20/190	125xM20x190	125	190	44	25	M20	3500kg
121/125/M24/90	125xM24	125	90	44	25	M24	4500kg
121/125/M24/190	125xM24x190	125	190	44	25	M24	4500kg



**Heavy Duty A-Justa-Foot Stainless Steel
Complete With 10% Angle Adjustment & Anti Slip Pads**

STOCK CODE	A BASE	B BASE HEIGHT	C OVERALL HEIGHT	D STUD	E THREAD LENGTH	F PIVOT ANGLE	G RATING
HDA221/90/M16/70	90	42	105	M16	63	10 deg	2000kg
HDA221/90/M16/170	90	42	205	M16	163	10 deg	2000kg
HDA221/90/M20/70	90	45	100	M20	60	10 deg	3000kg
HDA221/90/M20/170	90	45	200	M20	160	10 deg	3000kg
HDA221/90/M24/70	90	50	100	M24	60	10 deg	4000kg
HDA221/90/M24/170	90	50	200	M24	160	10 deg	4000kg
HDA221/125/M16/70	125	42	105	M16	63	10 deg	2000kg
HDA221/125/M16/170	125	42	205	M16	163	10 deg	2000kg
HDA221/125/M20/70	125	45	100	M20	60	10 deg	3000kg
HDA221/125/M20/170	125	45	200	M20	160	10 deg	3000kg
HDA221/125/M24/70	125	50	100	M24	60	10 deg	4000kg
HDA221/125/M24/170	125	50	200	M24	160	10 deg	4000kg

**Heavy Duty Bolt Down A-Justa-Foot Stainless Steel
Complete With 10% Angle Adjustment & Anti Slip Pads**

STOCK CODE	A BASE	B BASE HEIGHT	C OVERALL HEIGHT	D STUD	E THREAD LENGTH	F PIVOT ANGLE	G RATING	H
HDA231/90/M16/70	90	42	105	M16	63	10 deg	2000kg	60
HDA231/90/M16/170	90	42	205	M16	163	10 deg	2000kg	60
HDA231/90/M20/70	90	45	100	M20	60	10 deg	3000kg	60
HDA231/90/M20/170	90	45	200	M20	160	10 deg	3000kg	60
HDA231/90/M24/70	90	50	100	M24	60	10 deg	4000kg	60
HDA231/90/M24/170	90	50	200	M24	160	10 deg	4000kg	60
HDA231/125/M16/70	125	42	105	M16	63	10 deg	2000kg	90
HDA231/125/M16/170	125	42	205	M16	163	10 deg	2000kg	90
HDA231/125/M20/70	125	45	100	M20	60	10 deg	3000kg	90
HDA231/125/M20/170	125	45	200	M20	160	10 deg	3000kg	90
HDA231/125/M24/70	125	50	100	M24	60	10 deg	4000kg	90
HDA231/125/M24/170	125	50	200	M24	160	10 deg	4000kg	90

