

# Contents

Sealants	K1
CRH Series Adhesives and Solvents	K3
Adhesives and Solvents	K4
Tools and Supplies	K6

## Adhesive Selection

**When using or choosing adhesive please consider the following:**

### Surface Preparation

Surfaces must be clean and dry. Giving the surface a light rough-over with sandpaper can help to increase the surface area the adhesive has to stick to by up to 3 times.

### Environment

Consider the environment in which you are working. Humidity will affect drying time, try to avoid applications on cold mornings. Applications on rainy days will take longer to set/dry. Dusty environments will affect the performance of the adhesive, make sure the surface is clean.

### Use

Be aware of the properties of the material you are trying to stick together and the process you are using to do it. What do you want to achieve? Discuss your requirements with one of our friendly sales staff so the best product can be tailored to your needs.

BOS936	K2
BOS1128C	K2
BOS1312	K5
BOS5603	K5
BOS5612W	K2
BOS174882	K6
BOSCOSEAL16	K5
BOSHANDCLEANER	K5
BOSSILACETBLK	K1
BOSSILACETCLR	K1
BOSSILALG	K1
BOSSILBLK	K1
BOSSILCLR	K1
BOSSILWH	K1
BOS ULTRASET	K5
CRH-B751	K3
DBR-1000	K6
DBR-1000RR	K6
DBR-1000RRSS	K6
KASON SIL	K1
MGAVAS0414D	K6
MGAVAS0414SM	K6
MGAVAS0516D	K6
MGAVAS0516SM	K6
MGAVAS0619D	K6
MGAVAS0619SM	K6
N130-20	K3
N130C	K3
TAC103	K4
TAC230C20	K4
TAC230R20	K4



ITEM	STOCK CODE	DESCRIPTION	USES
a.	<p><b>BOSSILALG</b> (Aluminium Grey)</p> <p><b>BOSSILCLR</b> (Clear)</p> <p><b>BOSSILWH</b> (White)</p> <p><b>BOSSILBLK</b> (Black)</p>	<p><b>Industrial grade silicone sealant</b> High performance sealant, adhering to a wide variety of substrates while also offering glazing and weather seal applications. Neutral cure.</p> <p>Available in Aluminium Grey, Clear, White and Black</p> <p>Tube volume: 300g</p>	<ul style="list-style-type: none"> <li>Industrial marine</li> <li>Weatherseals between glass and aluminium</li> <li>General construction</li> <li>Electrical applications</li> </ul>
b.	<p><b>BOSSILACETBLK</b> (Black)</p> <p><b>BOSSILACETCLR</b> (Clear)</p>	<p><b>Glazing silicone</b> Acetic cure silicone/sealant</p> <p>Available in Black or Clear</p> <p>Tube volume: 300ml</p>	<ul style="list-style-type: none"> <li>Non-structural glazing applications</li> </ul>
c.	<p><b>KASON SIL</b> (Aluminium Grey)</p>	<p><b>Food grade silicone</b> Colour suitable for use with stainless steel. High temperature formula heat resistant to 200°C (400°F) Premium grade. Air cures overnight. Tack-free in 15 minutes</p> <p>Tube volume: 304ml</p>	<ul style="list-style-type: none"> <li>Waterproof adhesive bonds better than generic sealants</li> <li>Won't peel</li> </ul>



ITEM	STOCK CODE	DESCRIPTION	USES
a.	BOS5612W	<p><b>Mastic sealant</b> One component non-skinning mastic sealant. Designed to form a weather-proof, dustproof or permanently, soft, pliable and flexible seal between a variety of materials</p> <p>Tube volume: 450g</p>	<ul style="list-style-type: none"> <li>• Cool room sealant for joints between panels</li> <li>• Sealing lap joints between metal, foam and rubber</li> <li>• Sealing pipes</li> <li>• Sealing panels in Air-conditioning trade</li> </ul>
b.	BOS1128C	<p><b>Heat transfer sealer</b> Sealing compound</p> <p>Tube volume: 460g</p>	<ul style="list-style-type: none"> <li>• Especially formulated for improving the thermal efficiency of freezer units by increasing the surface contact between the refrigerator coils and the cabinet</li> </ul>
c.	BOS936	<p><b>Industrial Hi-Temp silicone</b> Red. Rated to 300°C</p> <p>Tube volume: 300g</p>	<ul style="list-style-type: none"> <li>• High temperature, high performance silicone for ovens, boilers etc</li> </ul>

CRH Series Adhesives & Solvents



ITEM	STOCK CODE	DESCRIPTION	USES
a.	N130C	<p><b>Universal Adhesive</b> Bond-Pro N130 is a non-drip, non-stringy;fast drying solvent based universal adhesive and sealent. It is flexible, water-resistant, withstands temperatures upto 80°C and bonds to metal and other non-porous surfaces.</p> <p>Volume: 300g tube</p>	<ul style="list-style-type: none"> <li>• Asan adhesive for bonding stainless steel and wood</li> <li>• As a lap joint sealant between gutters, downpipes, flashing,roofing,ducting and sheet metal.</li> <li>• As an adhesive for fixing wall panels,floor boards and hanging wall furnishing.</li> </ul>
b.	N130-20	<p><b>Universal Adhesive</b> As above 20 Litre drum</p>	<ul style="list-style-type: none"> <li>• As above</li> </ul>
c.	CRH-B751	<p><b>Vapour Seal &amp; Adhesive</b> One part solvent based adhesive sealer designed as a moisture and vapour barrier. Volume: 20 Litre Drum</p>	<ul style="list-style-type: none"> <li>• Used in the refrigeration industry as a sealer or coating on polystyrene to prevent permeation and condensation of water vapour onto metal surfaces. It can also be used as an adhesive for polystyrene foam displaying very quick grab with a good open time</li> </ul>



a.



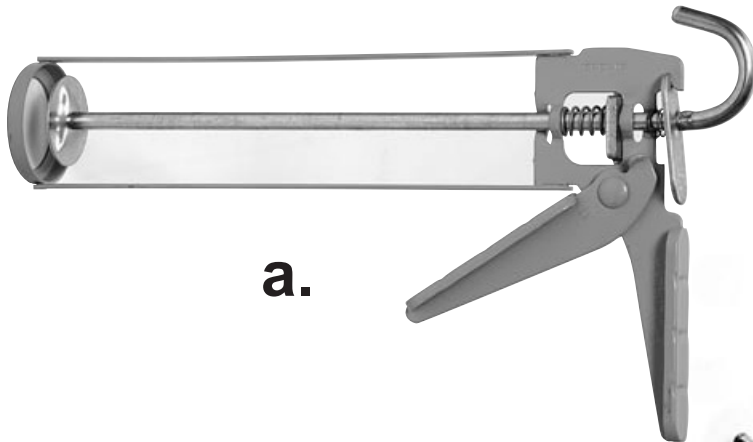
b.

ITEM	STOCK CODE	DESCRIPTION	USES
a.	TAC230R20 (Red)  TAC230C20 (Clear)	<b>Styrene safe adhesive</b> High performance polystyrene foam contact adhesive. Synthetic rubber based, excellent strength adhesive for bonding light weight materials used in the insulation and air conditioning industries. 20 Litre drum  High temperature resistant. Sprayable or brushable. Polystyrene foam safe. Fire rated to AS1530.3	<ul style="list-style-type: none"> <li>• Sandwich panels</li> <li>• Ceiling Tiles</li> <li>• Cool rooms</li> <li>• Polystyrene foam</li> <li>• Steel</li> <li>• Aluminium</li> <li>• Galvanized iron</li> <li>• Insulation batts</li> <li>• Fibreglass</li> <li>• Reinforced plastics</li> </ul>
b.	TAC103	<b>Styrene safe solvent</b> 20 Litre drum	<ul style="list-style-type: none"> <li>• Thinning or cleaning polystyrene foam contact adhesive</li> </ul>

Adhesives & Solvents



ITEM	STOCK CODE	DESCRIPTION	USES
a.	BOS5603	<b>Heat transfer sealer</b> Sealing compound specifically designed for the refrigeration industry. Volume: 20 Litre Drum	<ul style="list-style-type: none"> <li>• Same as BOS1128C</li> <li>• Thinner, pumpable version</li> </ul>
b.	BOS ULTRASET	<b>Ultraset SF</b> <ul style="list-style-type: none"> <li>• Solvent free formulation</li> <li>• No mixing, ready to use</li> <li>• One component</li> <li>• Flexible</li> <li>• Easy to spread</li> <li>• Will not re-emulsify when in contact with moisture</li> <li>• Colour: brown standard</li> <li>• Tested to ASTM C794 for peel adhesion to various species of Australian hardwood</li> <li>• Non-flammable</li> <li>• Recommended adhesive by major timber manufacturers</li> <li>• Excellent acoustic properties</li> <li>• Australian made</li> </ul> Ask for copy of Technical Data sheet for more information. Volume: 15 Litre pail	One part solvent free polyurethane elastomeric adhesive formulated to adhere to: <ul style="list-style-type: none"> <li>• Most types of wood</li> <li>• Parquetry to concrete or timber</li> <li>• Strip and sheet timber flooring systems to concrete, timber or over existing floors</li> <li>• Underlay</li> <li>• Tiles to concrete/timber</li> </ul>
c.	BOSHAND-CLEANER	<b>Hand cleaner</b> Volume: 4 Litre pail	-
d.	BOS1312	<b>Sound deadener</b> Solvent based bitumen coating Volume: 20 Litre drum	<ul style="list-style-type: none"> <li>• Sound deadener for sheet metal</li> <li>• Dries hard</li> </ul>
	BOSCOSEAL16	<b>Bitumen sheet</b> Rubberised, self adhesive. 1.6mm x 1m x 20m Roll	<ul style="list-style-type: none"> <li>• As waterproofing and sound deadening material</li> </ul>



**a.**

Note: All rivets in bag quantities of 250

Stainless Steel Rivets also available POA



**b.**



**c.**

ITEM	STOCK CODE	DESCRIPTION
a.	BOS174882	Skeleton trade gun
b.	MGAVAS0414D	Cool room multigrip rivets 1/8" Aluminium
	MGAVAS0414SM	Cool room multigrip rivets 1/8" White
	MGAVAS0516D	Cool room multigrip rivets 5/32" Aluminium
	MGAVAS0516SM	Cool room multigrip rivets 5/32" White
	MGAVAS0619D	Cool room multigrip rivets 3/16" Aluminium
	MGAVAS0619SM	Cool room multigrip rivets 3/16" White
c.	DBR-1000	Deburrer - steel rollers included
	DBR-1000RR	Deburrer replacement steel rollers
	DBR-1000RRSS	Deburrer replacement stainless steel rollers