

Contents



| | |
|---|-----|
| CASIFIT Galvanised Shelving | H1 |
| CASIFIT Polyester Coated Shelving | H2 |
| CASIFIT Stainless Steel Shelving | H3 |
| CASIFIT Side Rails | H4 |
| CASIFIT Shelving Accessories | H5 |
| CASIFIT Utility Carts | H6 |
| CASIFIT Wine Racks | H7 |
| CASIFIT Display Shelving | H8 |
| Plastic Mat Shelving with Anti-microbial Protection | H9 |
| CRH Series Shelf Strips & Clips | H10 |
| Shelf Brackets | H11 |

| | | | | | | | |
|----------------|-----|----------------|----|----------------|----|----------------|----|
| 4CAST | H9 | C455x610GW5T | H1 | C455x1825PEW4T | H2 | C610x1220GW3T | H1 |
| 4270S | H11 | C455x610PEW3T | H2 | C455x1825PEW5T | H2 | C610x1220GW4T | H1 |
| C4CWB | H5 | C455x610PEW4T | H2 | C455x1825SS3T | H3 | C610x1220GW5T | H1 |
| C4CWOB | H5 | C455x610PEW5T | H2 | C455x1825SS4T | H3 | C610x1220PEW3T | H2 |
| C5CWB | H5 | C455x610SS3T | H3 | C455x1825SS5T | H3 | C610x1220PEW4T | H2 |
| C5CWOB | H5 | C455x610SS4T | H3 | C530x610GW3T | H1 | C610x1220PEW5T | H2 |
| C54GP | H1 | C455x610SS5T | H3 | C530x610GW4T | H1 | C610x1220SS3T | H3 |
| C54PEP | H2 | C455x760GW3T | H1 | C530x610GW5T | H1 | C610x1220SS4T | H3 |
| C54SS | H3 | C455x760GW4T | H1 | C530x760GW3T | H1 | C610x1220SS5T | H3 |
| C74GP | H1 | C455x760GW5T | H1 | C530x760GW4T | H1 | C610x1370GW3T | H1 |
| C74PEP | H2 | C455x760PEW3T | H2 | C530x760GW5T | H1 | C610x1370GW4T | H1 |
| C74SS | H3 | C455x760PEW4T | H2 | C530x910GW3T | H1 | C610x1370GW5T | H1 |
| C86GP | H1 | C455x760PEW5T | H2 | C530x910GW4T | H1 | C610x1370PEW3T | H2 |
| C86PEP | H2 | C455x760SS3T | H3 | C530x910GW5T | H1 | C610x1370PEW4T | H2 |
| C86SS | H3 | C455x760SS4T | H3 | C530x1060GW3T | H1 | C610x1370PEW5T | H2 |
| C355x610GW3T | H1 | C455x760SS5T | H3 | C530x1060GW4T | H1 | C610x1370SS3T | H3 |
| C355x610GW4T | H1 | C455x910GW3T | H1 | C530x1060GW5T | H1 | C610x1370SS4T | H3 |
| C355x610GW5T | H1 | C455x910GW4T | H1 | C530x1220GW3T | H1 | C610x1370SS5T | H3 |
| C355x610PEW3T | H2 | C455x910GW5T | H1 | C530x1220GW4T | H1 | C610x1525GW3T | H1 |
| C355x610PEW4T | H2 | C455x910PEW3T | H2 | C530x1220GW5T | H1 | C610x1525GW4T | H1 |
| C355x610PEW5T | H2 | C455x910PEW4T | H2 | C530x1370GW3T | H1 | C610x1525GW5T | H1 |
| C355x760GW3T | H1 | C455x910PEW5T | H2 | C530x1370GW4T | H1 | C610x1525PEW3T | H2 |
| C355x760GW4T | H1 | C455x910SS3T | H3 | C530x1370GW5T | H1 | C610x1525PEW4T | H2 |
| C355x760GW5T | H1 | C455x910SS4T | H3 | C530x1525GW3T | H1 | C610x1525PEW5T | H2 |
| C355x760PEW3T | H2 | C455x910SS5T | H3 | C530x1525GW4T | H1 | C610x1525SS3T | H3 |
| C355x760PEW4T | H2 | C455x1060GW3T | H1 | C530x1525GW5T | H1 | C610x1525SS4T | H3 |
| C355x760PEW5T | H2 | C455x1060GW4T | H1 | C530x1825GW3T | H1 | C610x1525SS5T | H3 |
| C355x910GW3T | H1 | C455x1060GW5T | H1 | C530x1825GW4T | H1 | C610x1825GW3T | H1 |
| C355x910GW4T | H1 | C455x1060PEW3T | H2 | C530x1825GW5T | H1 | C610x1825GW4T | H1 |
| C355x910GW5T | H1 | C455x1060PEW4T | H2 | C610x610GW3T | H1 | C610x1825GW5T | H1 |
| C355x910PEW3T | H2 | C455x1060PEW5T | H2 | C610x610GW4T | H1 | C610x1825PEW3T | H2 |
| C355x910PEW4T | H2 | C455x1060SS3T | H3 | C610x610GW5T | H1 | C610x1825PEW4T | H2 |
| C355x910PEW5T | H2 | C455x1060SS4T | H3 | C610x610PEW3T | H2 | C610x1825PEW5T | H2 |
| C355x1060GW3T | H1 | C455x1060SS5T | H3 | C610x610PEW4T | H2 | C610x1825SS3T | H3 |
| C355x1060GW4T | H1 | C455x1220GW3T | H1 | C610x610PEW5T | H2 | C610x1825SS4T | H3 |
| C355x1060GW5T | H1 | C455x1220GW4T | H1 | C610x610SS3T | H3 | C610x1825SS5T | H3 |
| C355x1060PEW3T | H2 | C455x1220GW5T | H1 | C610x610SS4T | H3 | C1424GW | H1 |
| C355x1060PEW4T | H2 | C455x1220PEW3T | H2 | C610x610SS5T | H3 | C1424PEW | H2 |
| C355x1060PEW5T | H2 | C455x1220PEW4T | H2 | C610x760GW3T | H1 | C1430GW | H1 |
| C355x1220GW3T | H1 | C455x1220PEW5T | H2 | C610x760GW4T | H1 | C1430PEW | H2 |
| C355x1220GW4T | H1 | C455x1220SS3T | H3 | C610x760GW5T | H1 | C1436GW | H1 |
| C355x1220GW5T | H1 | C455x1220SS4T | H3 | C610x760PEW3T | H2 | C1436PEW | H2 |
| C355x1220PEW3T | H2 | C455x1220SS5T | H3 | C610x760PEW4T | H2 | C1442GW | H1 |
| C355x1220PEW4T | H2 | C455x1370GW3T | H1 | C610x760PEW5T | H2 | C1442PEW | H2 |
| C355x1220PEW5T | H2 | C455x1370GW4T | H1 | C610x760SS3T | H3 | C1448GW | H1 |
| C355x1370GW3T | H1 | C455x1370GW5T | H1 | C610x760SS4T | H3 | C1448PEW | H2 |
| C355x1370GW4T | H1 | C455x1370PEW3T | H2 | C610x760SS5T | H3 | C1454GW | H1 |
| C355x1370GW5T | H1 | C455x1370PEW4T | H2 | C610x910GW3T | H1 | C1454PEW | H2 |
| C355x1370PEW3T | H2 | C455x1370PEW5T | H2 | C610x910GW4T | H1 | C1460GW | H1 |
| C355x1370PEW4T | H2 | C455x1370SS3T | H3 | C610x910GW5T | H1 | C1460PEW | H2 |
| C355x1370PEW5T | H2 | C455x1370SS4T | H3 | C610x910PEW3T | H2 | C1472GW | H1 |
| C355x1525GW3T | H1 | C455x1370SS5T | H3 | C610x910PEW4T | H2 | C1472PEW | H2 |
| C355x1525GW4T | H1 | C455x1525GW3T | H1 | C610x910PEW5T | H2 | C1824GW | H1 |
| C355x1525GW5T | H1 | C455x1525GW4T | H1 | C610x910SS3T | H3 | C1824PEW | H2 |
| C355x1525PEW3T | H2 | C455x1525GW5T | H1 | C610x910SS4T | H3 | C1824SSW | H3 |
| C355x1525PEW4T | H2 | C455x1525PEW3T | H2 | C610x910SS5T | H3 | C1830GW | H1 |
| C355x1525PEW5T | H2 | C455x1525PEW4T | H2 | C610x1060GW3T | H1 | C1830PEW | H2 |
| C355x1825GW3T | H1 | C455x1525PEW5T | H2 | C610x1060GW4T | H1 | C1830SSW | H3 |
| C355x1825GW4T | H1 | C455x1525SS3T | H3 | C610x1060GW5T | H1 | C1836GW | H1 |
| C355x1825GW5T | H1 | C455x1525SS4T | H3 | C610x1060PEW3T | H2 | C1836PEW | H2 |
| C355x1825PEW3T | H2 | C455x1525SS5T | H3 | C610x1060PEW4T | H2 | C1836SSW | H3 |
| C355x1825PEW4T | H2 | C455x1825GW3T | H1 | C610x1060PEW5T | H2 | C1842GW | H1 |
| C355x1825PEW5T | H2 | C455x1825GW4T | H1 | C610x1060SS3T | H3 | C1842PEW | H2 |
| C455x610GW3T | H1 | C455x1825GW5T | H1 | C610x1060SS4T | H3 | C1842SSW | H3 |
| C455x610GW4T | H1 | C455x1825PEW3T | H2 | C610x1060SS5T | H3 | C1848GW | H1 |

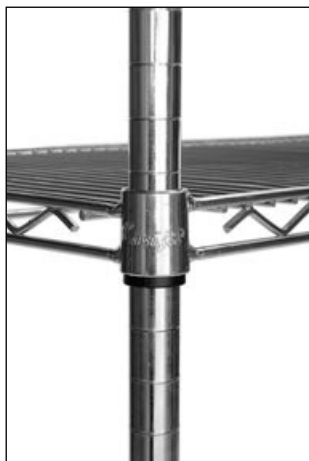
Part Number Index



| | | | | | |
|---------------|----|---------------|-----|-----|-----|
| C1848PEW | H2 | CSL60-4P | H4 | SS4 | H10 |
| C1848SSW | H3 | CSL72-4 | H4 | SS5 | H10 |
| C1854GW | H1 | CSL72-4P | H4 | SS6 | H10 |
| C1854PEW | H2 | CUC1830/D-CW | H6 | | |
| C1854SSW | H3 | CUC1830/D-PEW | H6 | | |
| C1860GW | H1 | CUC2430/D-CW | H6 | | |
| C1860PEW | H2 | CUC2430/D-PEW | H6 | | |
| C1860SSW | H3 | CWR-1436-9 | H7 | | |
| C1872GW | H1 | CWR-1448-12 | H7 | | |
| C1872PEW | H2 | CWRP-1436-9 | H7 | | |
| C1872SSW | H3 | CWRP-1448-12 | H7 | | |
| C2124GW | H1 | D1424CW | H8 | | |
| C2130GW | H1 | D1436CW | H8 | | |
| C2136GW | H1 | D1448CW | H8 | | |
| C2142GW | H1 | K03103 | H11 | | |
| C2148GW | H1 | K03104 | H11 | | |
| C2154GW | H1 | PM74EPL | H9 | | |
| C2160GW | H1 | PM1830EPL | H9 | | |
| C2172GW | H1 | PM1836EPL | H9 | | |
| C2424GW | H1 | PM1842EPL | H9 | | |
| C2424PEW | H2 | PM1848EPL | H9 | | |
| C2424SSW | H3 | PM1854EPL | H9 | | |
| C2430GW | H1 | PM1860EPL | H9 | | |
| C2430PEW | H2 | PM1872EPL | H9 | | |
| C2430SSW | H3 | PM2430EPL | H9 | | |
| C2436GW | H1 | PM2436EPL | H9 | | |
| C2436PEW | H2 | PM2442EPL | H9 | | |
| C2436SSW | H3 | PM2448EPL | H9 | | |
| C2442GW | H1 | PM2454EPL | H9 | | |
| C2442PEW | H2 | PM2460EPL | H9 | | |
| C2442SSW | H3 | PM2472EPL | H9 | | |
| C2448GW | H1 | PM18307EPL | H9 | | |
| C2448PEW | H2 | PM18307EPL5 | H9 | | |
| C2448SSW | H3 | PM18367EPL | H9 | | |
| C2454GW | H1 | PM18367EPL5 | H9 | | |
| C2454PEW | H2 | PM18427EPL | H9 | | |
| C2454SSW | H3 | PM18427EPL5 | H9 | | |
| C2460GW | H1 | PM18487EPL | H9 | | |
| C2460PEW | H2 | PM18487EPL5 | H9 | | |
| C2460SSW | H3 | PM18547EPL | H9 | | |
| C2472GW | H1 | PM18547EPL5 | H9 | | |
| C2472PEW | H2 | PM18607EPL | H9 | | |
| C2472SSW | H3 | PM18607EPL5 | H9 | | |
| CS-CLAMP GAL | H5 | PM18727EPL | H9 | | |
| CS-CLAMP POLY | H5 | PM18727EPL5 | H9 | | |
| CS-HOOK | H5 | PM24307EPL | H9 | | |
| CSL14-4 | H4 | PM24307EPL5 | H9 | | |
| CSL14-4P | H4 | PM24367EPL | H9 | | |
| CSL18-4 | H4 | PM24367EPL5 | H9 | | |
| CSL18-4P | H4 | PM24427EPL | H9 | | |
| CSL21-4 | H4 | PM24427EPL5 | H9 | | |
| CSL21-4P | H4 | PM24487EPL | H9 | | |
| CSL24-4 | H4 | PM24487EPL5 | H9 | | |
| CSL24-4P | H4 | PM24547EPL | H9 | | |
| CSL30-4 | H4 | PM24547EPL5 | H9 | | |
| CSL30-4P | H4 | PM24607EPL | H9 | | |
| CSL36-4 | H4 | PM24607EPL5 | H9 | | |
| CSL36-4P | H4 | PM24727EPL | H9 | | |
| CSL42-4 | H4 | PM24727EPL5 | H9 | | |
| CSL42-4P | H4 | PMAS | H9 | | |
| CSL48-4 | H4 | SC | H10 | | |
| CSL48-4P | H4 | SCL | H10 | | |
| CSL54-4 | H4 | SS1 | H10 | | |
| CSL54-4P | H4 | SS2 | H10 | | |
| CSL60-4 | H4 | SS3 | H10 | | |

FEATURES

- **Finish:** Galvanised then covered with a clear epoxy coating to provide extra protection against rust and corrosion
- **Standard Post Heights:**
 3 tier - 1385mm high posts
 4 tier - 1900mm high posts
 5 tier - 1900mm high posts
- Shelf heights are adjustable in 25mm increments
- Stylish design
- Simple to assemble
- Packaged for easy transportation
- Adjustable feet
- Side rails available (see page H4)



| STOCK CODE SHELF SIZE 3 TIER UNIT W x L mm | STOCK CODE SHELF SIZE 4 TIER UNIT W x L mm | STOCK CODE SHELF SIZE 5 TIER UNIT W x L mm | ADDI- TIONAL SHELF | WEIGHT RATING PER SHELF |
|---|---|---|--------------------------|----------------------------------|
| C355x610GW3T | C355x610GW4T | C355x610GW5T | C1424GW | 150kg |
| C355x760GW3T | C355x760GW4T | C355x760GW5T | C1430GW | 150kg |
| C355x910GW3T | C355x910GW4T | C355x910GW5T | C1436GW | 150kg |
| C355x1060GW3T | C355x1060GW4T | C355x1060GW5T | C1442GW | 150kg |
| C355x1220GW3T | C355x1220GW4T | C355x1220GW5T | C1448GW | 150kg |
| C355x1370GW3T | C355x1370GW4T | C355x1370GW5T | C1454GW | 150kg |
| C355x1525GW3T | C355x1525GW4T | C355x1525GW5T | C1460GW | 125kg |
| C355x1825GW3T | C355x1825GW4T | C355x1825GW5T | C1472GW | 125kg |
| C455x610GW3T | C455x610GW4T | C455x610GW5T | C1824GW | 230kg |
| C455x760GW3T | C455x760GW4T | C455x760GW5T | C1830GW | 230kg |
| C455x910GW3T | C455x910GW4T | C455x910GW5T | C1836GW | 230kg |
| C455x1060GW3T | C455x1060GW4T | C455x1060GW5T | C1842GW | 230kg |
| C455x1220GW3T | C455x1220GW4T | C455x1220GW5T | C1848GW | 210kg |
| C455x1370GW3T | C455x1370GW4T | C455x1370GW5T | C1854GW | 200kg |
| C455x1525GW3T | C455x1525GW4T | C455x1525GW5T | C1860GW | 175kg |
| C455x1825GW3T | C455x1825GW4T | C455x1825GW5T | C1872GW | 150kg |
| C530x610GW3T | C530x610GW4T | C530x610GW5T | C2124GW | 230kg |
| C530x760GW3T | C530x760GW4T | C530x760GW5T | C2130GW | 230kg |
| C530x910GW3T | C530x910GW4T | C530x910GW5T | C2136GW | 230kg |
| C530x1060GW3T | C530x1060GW4T | C530x1060GW5T | C2142GW | 200kg |
| C530x1220GW3T | C530x1220GW4T | C530x1220GW5T | C2148GW | 200kg |
| C530x1370GW3T | C530x1370GW4T | C530x1370GW5T | C2154GW | 200kg |
| C530x1525GW3T | C530x1525GW4T | C530x1525GW5T | C2160GW | 175kg |
| C530x1825GW3T | C530x1825GW4T | C530x1825GW5T | C2172GW | 150kg |
| C610x610GW3T | C610x610GW4T | C610x610GW5T | C2424GW | 250kg |
| C610x760GW3T | C610x760GW4T | C610x760GW5T | C2430GW | 250kg |
| C610x910GW3T | C610x910GW4T | C610x910GW5T | C2436GW | 250kg |
| C610x1060GW3T | C610x1060GW4T | C610x1060GW5T | C2442GW | 250kg |
| C610x1220GW3T | C610x1220GW4T | C610x1220GW5T | C2448GW | 250kg |
| C610x1370GW3T | C610x1370GW4T | C610x1370GW5T | C2454GW | 225kg |
| C610x1525GW3T | C610x1525GW4T | C610x1525GW5T | C2460GW | 200kg |
| C610x1825GW3T | C610x1825GW4T | C610x1825GW5T | C2472GW | 180kg |

Additional Posts - if required (posts are included in complete units)

| STOCK CODE | POST HEIGHT |
|------------|-------------|
| C54GP | 1385 |
| C74GP | 1900 |
| C86GP | 2200 |

CASIFIT Polyester Coated Shelving

FEATURES

- **Finish:** Blue polyester coated for extra protection against moisture
- **Standard Post Heights:**
 3 tier - 1385mm high posts
 4 tier - 1900mm high posts
 5 tier - 1900mm high posts
- Two year guarantee against rust or corrosion
- Suitable environment temperature range -40°C to +150°C
- Shelf heights are adjustable in 25mm increments
- Stylish design
- Simple to assemble
- Packaged for easy transportation
- Adjustable feet
- Side rails available (see page H4)



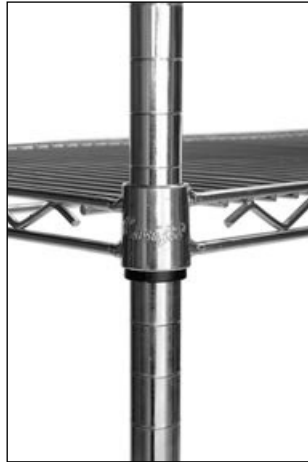
| STOCK CODE SHELF SIZE 3 TIER UNIT W x L mm | STOCK CODE SHELF SIZE 4 TIER UNIT W x L mm | STOCK CODE SHELF SIZE 5 TIER UNIT W x L mm | ADDI- TIONAL SHELF | WEIGHT RATING PER SHELF |
|---|---|---|--------------------------|----------------------------------|
| C355x610PEW3T | C355x610PEW4T | C355x610PEW5T | C1424PEW | 150kg |
| C355x760PEW3T | C355x760PEW4T | C355x760PEW5T | C1430PEW | 150kg |
| C355x910PEW3T | C355x910PEW4T | C355x910PEW5T | C1436PEW | 150kg |
| C355x1060PEW3T | C355x1060PEW4T | C355x1060PEW5T | C1442PEW | 150kg |
| C355x1220PEW3T | C355x1220PEW4T | C355x1220PEW5T | C1448PEW | 150kg |
| C355x1370PEW3T | C355x1370PEW4T | C355x1370PEW5T | C1454PEW | 150kg |
| C355x1525PEW3T | C355x1525PEW4T | C355x1525PEW5T | C1460PEW | 125kg |
| C355x1825PEW3T | C355x1825PEW4T | C355x1825PEW5T | C1472PEW | 125kg |
| C455x610PEW3T | C455x610PEW4T | C455x610PEW5T | C1824PEW | 230kg |
| C455x760PEW3T | C455x760PEW4T | C455x760PEW5T | C1830PEW | 230kg |
| C455x910PEW3T | C455x910PEW4T | C455x910PEW5T | C1836PEW | 230kg |
| C455x1060PEW3T | C455x1060PEW4T | C455x1060PEW5T | C1842PEW | 230kg |
| C455x1220PEW3T | C455x1220PEW4T | C455x1220PEW5T | C1848PEW | 210kg |
| C455x1370PEW3T | C455x1370PEW4T | C455x1370PEW5T | C1854PEW | 200kg |
| C455x1525PEW3T | C455x1525PEW4T | C455x1525PEW5T | C1860PEW | 175kg |
| C455x1825PEW3T | C455x1825PEW4T | C455x1825PEW5T | C1872PEW | 150kg |
| C610x610PEW3T | C610x610PEW4T | C610x610PEW5T | C2424PEW | 250kg |
| C610x760PEW3T | C610x760PEW4T | C610x760PEW5T | C2430PEW | 250kg |
| C610x910PEW3T | C610x910PEW4T | C610x910PEW5T | C2436PEW | 250kg |
| C610x1060PEW3T | C610x1060PEW4T | C610x1060PEW5T | C2442PEW | 250kg |
| C610x1220PEW3T | C610x1220PEW4T | C610x1220PEW5T | C2448PEW | 250kg |
| C610x1370PEW3T | C610x1370PEW4T | C610x1370PEW5T | C2454PEW | 225kg |
| C610x1525PEW3T | C610x1525PEW4T | C610x1525PEW5T | C2460PEW | 200kg |
| C610x1825PEW3T | C610x1825PEW4T | C610x1825PEW5T | C2472PEW | 180kg |

Additional Posts - if required (posts are included in complete units)

| STOCK CODE | POST HEIGHT |
|------------|-------------|
| C54PEP | 1385 |
| C74PEP | 1900 |
| C86PEP | 2200 |

FEATURES

- **Finish:** 304 Stainless Steel
- **Standard Post Heights:**
 3 tier - 1385mm high posts
 4 tier - 1900mm high posts
 5 tier - 1900mm high posts
- Five year guarantee against rust or corrosion in environments suitable for 304 grade stainless steel
- Shelf heights are adjustable in 25mm increments
- Stylish design
- Simple to assemble
- Packaged for easy transportation
- Adjustable feet



| STOCK CODE SHELF SIZE 3 TIER UNIT W x L mm | STOCK CODE SHELF SIZE 4 TIER UNIT W x L mm | STOCK CODE SHELF SIZE 5 TIER UNIT W x L mm | ADDI- TIONAL SHELF | WEIGHT RATING PER SHELF |
|---|---|---|--------------------------|----------------------------------|
| C455x610SS3T | C455x610SS4T | C455x610SS5T | C1824SSW | 230kg |
| C455x760SS3T | C455x760SS4T | C455x760SS5T | C1830SSW | 230kg |
| C455x910SS3T | C455x910SS4T | C455x910SS5T | C1836SSW | 230kg |
| C455x1060SS3T | C455x1060SS4T | C455x1060SS5T | C1842SSW | 230kg |
| C455x1220SS3T | C455x1220SS4T | C455x1220SS5T | C1848SSW | 210kg |
| C455x1370SS3T | C455x1370SS4T | C455x1370SS5T | C1854SSW | 200kg |
| C455x1525SS3T | C455x1525SS4T | C455x1525SS5T | C1860SSW | 175kg |
| C455x1825SS3T | C455x1825SS4T | C455x1825SS5T | C1872SSW | 150kg |
| C610x610SS3T | C610x610SS4T | C610x610SS5T | C2424SSW | 250kg |
| C610x760SS3T | C610x760SS4T | C610x760SS5T | C2430SSW | 250kg |
| C610x910SS3T | C610x910SS4T | C610x910SS5T | C2436SSW | 250kg |
| C610x1060SS3T | C610x1060SS4T | C610x1060SS5T | C2442SSW | 250kg |
| C610x1220SS3T | C610x1220SS4T | C610x1220SS5T | C2448SSW | 250kg |
| C610x1370SS3T | C610x1370SS4T | C610x1370SS5T | C2454SSW | 225kg |
| C610x1525SS3T | C610x1525SS4T | C610x1525SS5T | C2460SSW | 200kg |
| C610x1825SS3T | C610x1825SS4T | C610x1825SS5T | C2472SSW | 180kg |

Additional Posts - if required (posts are included in complete units)

| STOCK CODE | POST HEIGHT |
|------------|-------------|
| C54SS | 1385 |
| C74SS | 1900 |
| C86SS | 2200 |



These new 100mm high side and back safety rails will prevent stock falling or being pushed off while restocking.

Our new rails will fit all current widths and lengths and are available in galvanized (pictured) and blue polyester coated.

| GALVANISED STOCK CODE | BLUE POLYESTER COATED STOCK CODE | SIZE H x L |
|-----------------------|----------------------------------|----------------|
| CSL14-4 | CSL14-4P | 100mm x 355mm |
| CSL18-4 | CSL18-4P | 100mm x 455mm |
| CSL21-4 | CSL21-4P | 100mm x 530mm |
| CSL24-4 | CSL24-4P | 100mm x 610mm |
| CSL30-4 | CSL30-4P | 100mm x 760mm |
| CSL36-4 | CSL36-4P | 100mm x 910mm |
| CSL42-4 | CSL42-4P | 100mm x 1060mm |
| CSL48-4 | CSL48-4P | 100mm x 1220mm |
| CSL54-4 | CSL54-4P | 100mm x 1370mm |
| CSL60-4 | CSL60-4P | 100mm x 1525mm |
| CSL72-4 | CSL72-4P | 100mm x 1825mm |



a.



b.



c.



d.

| ITEM | STOCK CODE | DESCRIPTION |
|------|----------------------|---|
| a. | CS-CLAMP GAL | CASIFIT clamp. Used to brace multiple shelving units together. Galvanised |
| | CS-CLAMP POLY | CASIFIT clamp. Used to brace multiple shelving units together. Polyester coated |
| b. | CS-HOOK | CASIFIT hook. Used to attach bridging shelves |
| c. | C4CWOB | CASIFIT shelving castor no brake, 100mm diameter |
| d. | C4CWB | CASIFIT shelving castor with brake, 100mm diameter |
| | C5CWOB | CASIFIT shelving castor no brake, 125mm diameter |
| | C5CWB | CASIFIT shelving castor with brake, 125mm diameter |

CASIFIT Utility Carts

FEATURES:

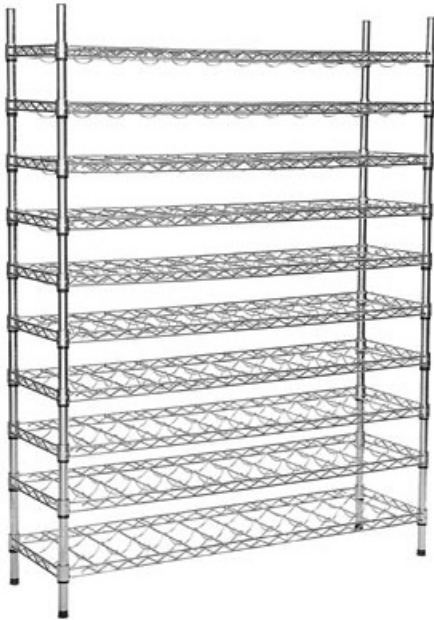
- Available in chrome plated or blue polyester coated
- Dual handle
- Shelf height adjustment in 25mm increments
- Simple to assemble
- 100mm nylon castors, two with brake and two without



| ITEM | STOCK CODE | DESCRIPTION | DIMENSIONS L x W x H mm |
|-----------|----------------------|--|----------------------------|
| | CUC1830/D-CW | Chrome plated three shelf utility cart | 760 x 455 x 775/950 |
| a. | CUC2430/D-CW | Chrome plated three shelf utility cart | 760 x 610 x 775/950 |
| b. | CUC1830/D-PEW | Blue polyester coated three shelf utility cart | 760 x 455 x 775/950 |
| | CUC2430/D-PEW | Blue polyester coated three shelf utility cart | 760 x 610 x 775/950 |

FEATURES:

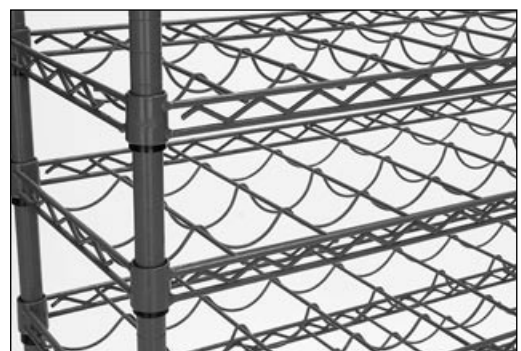
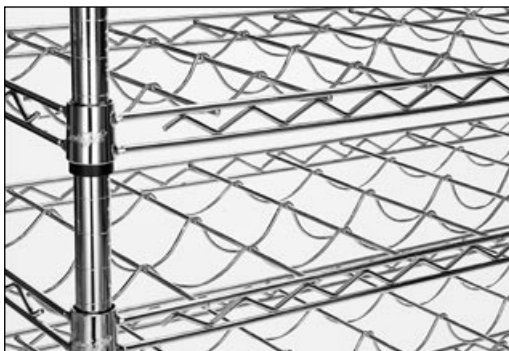
- Available in chrome plated or blue polyester coated
- Shelf height adjustment in 25mm increments
- Stylish design
- Simple to assemble
- Adjustable feet



a.



b.



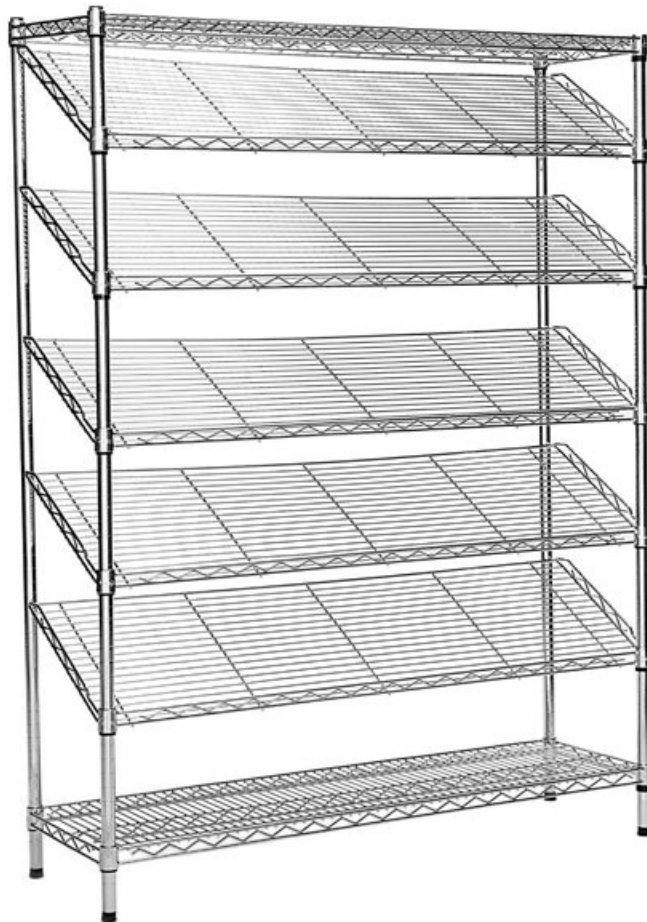
| ITEM | STOCK CODE | DESCRIPTION | DIMENSIONS L x W x H mm |
|-----------|---------------------|---|----------------------------|
| | CWR-1436-9 | Chrome plated 90 bottle capacity wine rack | 910 x 355 x 1590 |
| a. | CWR-1448-12 | Chrome plated 120 bottle capacity wine rack | 1220 X 355 X 1590 |
| b. | CWRP-1436-9 | Blue polyester coated 90 bottle capacity wine rack | 910 x 355 x 1590 |
| | CWRP-1448-12 | Blue polyester coated 120 bottle capacity wine rack | 1220 x 355 x 1590 |

CASIFIT Display Shelving

FEATURES:

- Chrome plated finish
- Shelf height adjustment in 25mm increments
- Stylish design
- Simple to assemble
- Adjustable feet

a.



| ITEM | STOCK CODE | DESCRIPTION | DIMENSIONS L x W x H mm |
|------|----------------|---|----------------------------|
| a. | D1448CW | Chrome plated display unit. Five slant display shelves with one flat shelf top and bottom | 1220 x 355 x 1590 |
| | D1436CW | Chrome plated display unit. Five slant display shelves with one flat shelf top and bottom | 910 x 355 x 1590 |
| | D1424CW | Chrome plated display unit. Five slant display shelves with one flat shelf top and bottom | 610 x 355 x 1590 |

FEATURES:

- Powder-epoxy over zinc-chromate electro plating.
- Three year warranty on frames and posts against rust and corrosion.
- Anti-microbial protection built in during manufacturing process inhibits the growth of bacteria and mould.
- Shelf height adjustment in 25mm increments.
- Stylish design.
- Simple to assemble.
- Adjustable feet.
- Packaged for easy transportation.
- 180kg weight rating per shelf.



| STOCK CODE 4 TIER UNIT POST HEIGHT 1880mm | STOCK CODE 5 TIER UNIT POST HEIGHT 1880mm | STOCK CODE ADDITIONAL SHELF | SHELF SIZE W x L mm |
|---|---|--------------------------------|------------------------|
| PM18307EPL | PM18307EPL5 | PM1830EPL | 455 x 760 |
| PM18367EPL | PM18367EPL5 | PM1836EPL | 455 x 915 |
| PM18427EPL | PM18427EPL5 | PM1842EPL | 455 x 1065 |
| PM18487EPL | PM18487EPL5 | PM1848EPL | 455 x 1220 |
| PM18547EPL | PM18547EPL5 | PM1854EPL | 455 x 1370 |
| PM18607EPL | PM18607EPL5 | PM1860EPL | 455 x 1520 |
| PM18727EPL | PM18727EPL5 | PM1872EPL | 455 x 1830 |
| PM24307EPL | PM24307EPL5 | PM2430EPL | 610 x 760 |
| PM24367EPL | PM24367EPL5 | PM2436EPL | 610 x 915 |
| PM24427EPL | PM24427EPL5 | PM2442EPL | 610 x 1065 |
| PM24487EPL | PM24487EPL5 | PM2448EPL | 610 x 1220 |
| PM24547EPL | PM24547EPL5 | PM2454EPL | 610 x 1370 |
| PM24607EPL | PM24607EPL5 | PM2460EPL | 610 x 1520 |
| PM24727EPL | PM24727EPL5 | PM2472EPL | 610 x 1830 |
| PM74EPL | 1880mm posts (posts are included with complete units) | | |
| PMAS | 'S' hooks for bridging shelves | | |
| 4CAST | Castor kit. Includes four castors, 2 with brake, 2 without and stem assembly with buffers | | |

a.



b.



c.



| ITEM | STOCK CODE | DESCRIPTION | LENGTH |
|------|------------|---|--------------|
| a. | SC | Stainless steel shelf clip | - |
| b. | SCL | Stainless steel shelf clip with retaining lug | - |
| c. | SS1 | Stainless steel shelving strip | 1ft (305mm) |
| | SS2 | Stainless steel shelving strip | 2ft (610mm) |
| | SS3 | Stainless steel shelving strip | 3ft (915mm) |
| | SS4 | Stainless steel shelving strip | 4ft (1220mm) |
| | SS5 | Stainless steel shelving strip | 5ft (1525mm) |
| | SS6 | Stainless steel shelving strip | 6ft (1830mm) |

KASON

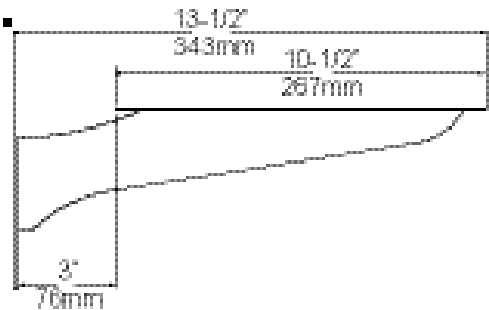
a.



b.



c.



| ITEM | STOCK CODE | DESCRIPTION | DIMENSIONS LENGTH mm | WEIGHT RATING PER SHELF |
|------|------------|---|----------------------|--|
| a. | 4270S | Fold down shelf bracket. Chrome plated with stainless steel shelf mount | Top 180 x 45 | Load rating 113.5kg dead weight using 254mm wide shelf with a pair of brackets mounted 610mm apart |
| b. | K03103 | Tray slide bracket. 8 gauge 300 series satin finish. Three rail saddle. Supports 25mm (1") OD rails. Mounting holes 10mm (3/8") diameter. | 310 | |
| c. | K03104 | Stationary bracket. 300# series, 8 gauge stainless steel with #4 satin finish. Supports a 265mm wide shelf. | 343 | |