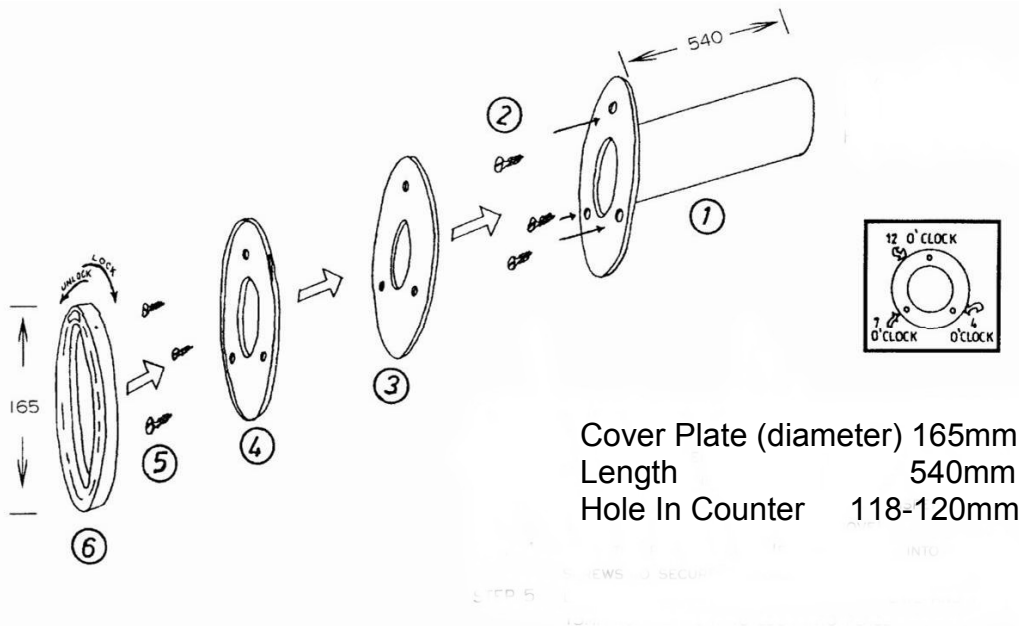


# CDC2410CCST

## Stainless Steel Cup Dispensing Unit

### Assembly Instructions



#### Step 1

Determine the final fitted position of the dispenser (part 1 above) and cut a hole 118mm to 120mm diameter maximum size.

#### Step 2

Place the dispenser in position as required and screw into position with one screw at 12 O'clock.

#### Step 3

Fit rubber gasket between the main dispenser (part 1 above) and the basket place (part 4 above).

#### Step 4

Push the plastic plugs (part 5 above) into the head of the screws to secure the gasket plate and gasket in place.

#### Step 5

Locate cover plate over dispenser plate and turn approximately 15mm to the right lock into place.





# CDC2410CCST

## Stainless Steel Cup Dispensing Unit

### Use Guide Below To Select Correct Size Gasket

			Replacement Gasket Kits		
Approximate Cup Rim Diameter	Approximate Cup Size Range	Gasket Size	Part Numbers	Qty of Gaskets in Kit	
73mm (2-7/8")	79mm (3-1/8")	236ml (8oz) to 414ml (14oz)	Small XC2422S	3	
89mm (3-1/2")	98mm (3-7/8")	474ml (16oz) to 710ml (24oz)	Medium XC2422M	3	
106mm (4-3/16")	111mm (4-3/8")	947ml (32oz)	Large XC2422L	3	
114mm (4-1/2")	121mm (4-3/4")	947ml (32oz) to 1360ml (46oz)	XLarge XC2422XL	3	
One each of small, medium and large (xlarge not in kit)			XC2426	4	

