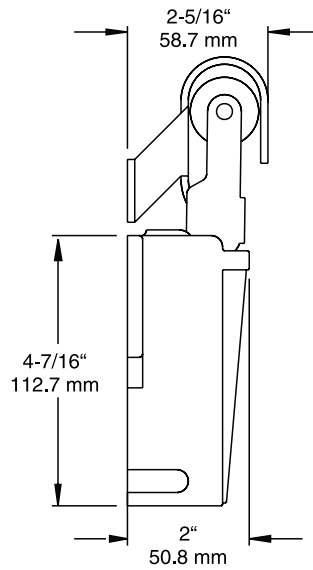


KASON



a.

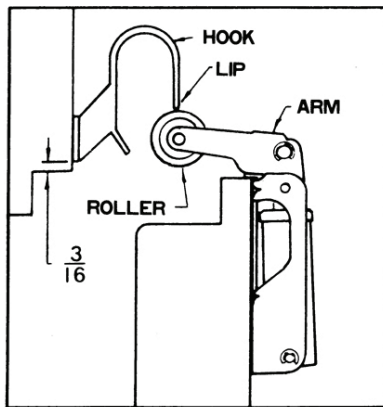


FIG. A

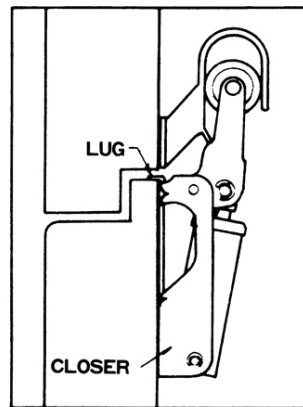


FIG. B

INSTALLATION INSTRUCTIONS

1. Lug should be located on top of the door edge.
2. Fasten the closer to door with screws.
3. Place hook with $\frac{3}{16}$ " space from frame edge to bottom of hook bracket. Fasten slotted holes only.
4. Close the door slowly to check if top of closer is in line with hook as shown on figure (A). The roller should clear the hook by no more than $\frac{1}{32}$ ". Adjust as required and fasten all screws.
5. Snap cover on.

ITEM	STOCK CODE	DESCRIPTION	MATERIAL	MOUNTING
a.	K109304	Kason hydraulic closer. Flush.	Steel with chrome finish. Plastic cover	Drilled for 5.0mm screws
	K109308	Kason hydraulic closer. 28.6mm offset	As above	As above