

KASON

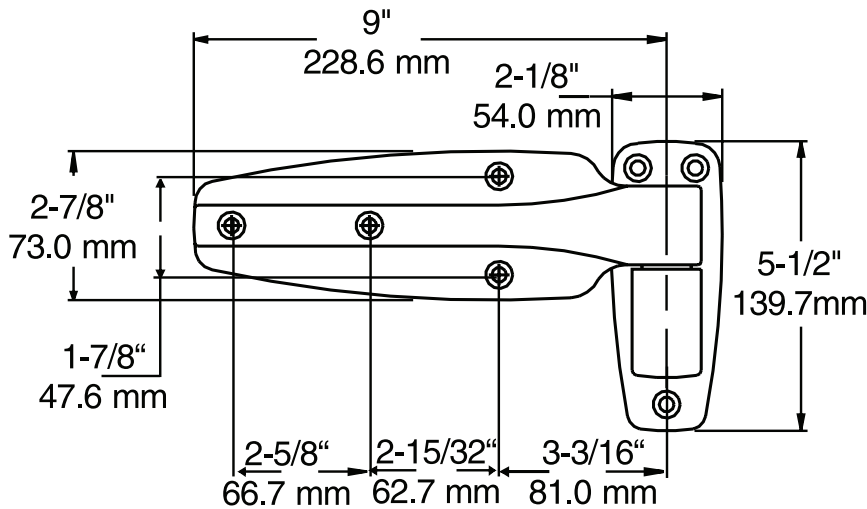
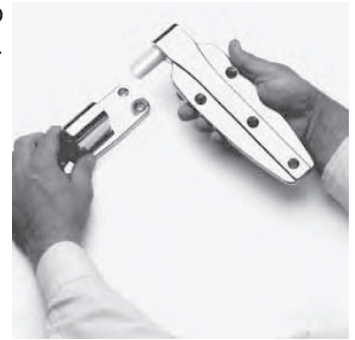


**Reverse Hinges
Left or Right**

1. Lift strap from flange and remove pin assembly.

2. Pop out cap. Turn strap 180°, reinsert pin assembly in strap.

3. Reposition strap into flange and replace cap.



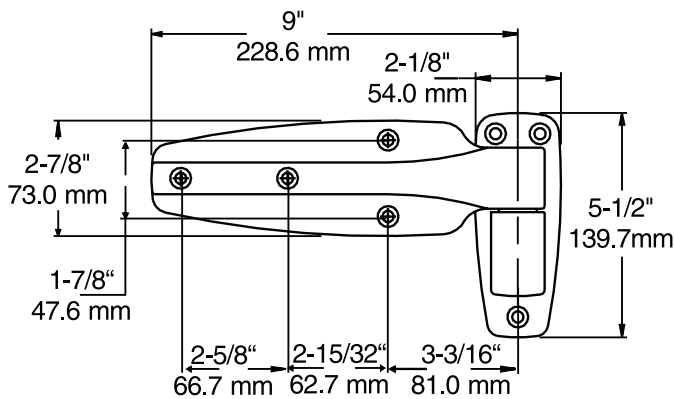
Note: Kason K1245 series interchangeable with Component W60 series

ITEM	STOCK CODE	DESCRIPTION	FEATURES	MATERIAL	MOUNTING
a.	K1245000028	Kason self closing cam rise hinge. Flush mount.	Self lubricating nylon cam and built in dwell holds door open beyond 90°. Lift off and reversible	High pressure die-cast zinc body. Nylon cam Chrome plated	Drilled and countersunk for 6.0mm screws
	K1245000040	Kason self closing cam rise hinge. 28mm offset		As above	As above
	K1245000080	Kason self closing cam rise hinge. 48mm offset		As above	As above

KASON



a.



**Reverse Hinges
Left or Right**

1. Lift strap from flange and remove pin assembly.



2. Pop out cap. Turn strap 180°, reinsert pin assembly in strap.



3. Reposition strap into flange and replace cap.



ITEM	STOCK CODE	DESCRIPTION	FEATURES	MATERIAL	MOUNTING
a.	K1245T00004	Kason self closing cam rise hinge. Flush mount.	Self lubricating nylon cam and built in dwell holds door open beyond 90°. Lift off and reversible. Note: Recommended for outdoor use.	High pressure die-cast zinc body. Nylon cam Tuffkote - grey baked enamel.	Drilled and countersunk for 6.0mm screws
	K1245T00016	Kason self closing cam rise hinge. 28.6mm offset.	As above.	As above	As above
	K1245T00020	Kason self closing cam rise hinge. 31.8mm offset.	As above.	As above	As above
	K1245T00064	Kason self closing cam rise hinge. 47.6mm offset.	As above.	As above	As above