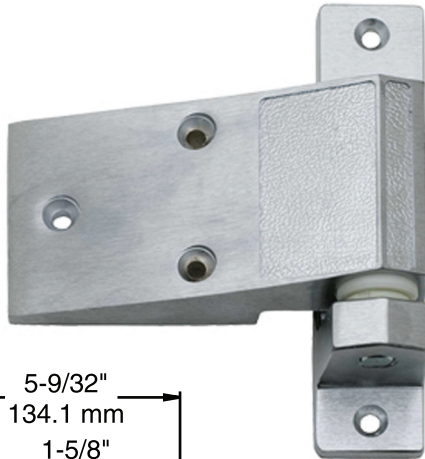
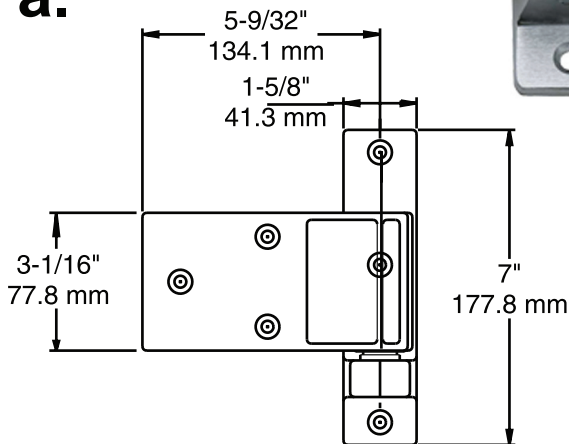


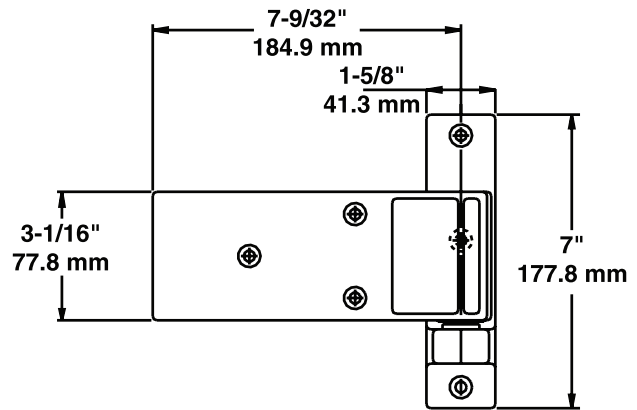
KASON



a.



b.



1. Replace existing follower assembly with spring cartridge follower assembly.



2. Assemble spring cartridge.



3. Remove black plastic cap at top of strap and insert spring assembly into strap so that screw enters hole in cam.



4. Drive screw through rod and secure with acorn nut.



ITEM	STOCK CODE	DESCRIPTION	MATERIAL	MOUNTING
a.	K1255V00004C	Pacesetter hinge. Strong, self lubricating nylon cam delivers smooth, trouble free door operation. Closes door with minimum effort. Patented cam-rise action reduces gasket wear, even with irregular floors. Built-in dwell holds door open beyond 90 degrees. Doors lift off without disassembly or removing hinges. Flush offset.	High pressure die-cast zinc, nylon cam. Chrome plated	Drilled and countersunk for 6.0mm screws
b.	K1256V00004C	As above.	As above	As above
	K1255000003	Spring kit for K1255V00004C & K1256V00004C.		