



## Installation Instructions for Casifit Shelving Systems

### Important information

- Finish of the Casifit Shelving System is extremely durable, however when assembling the unit never strike the shelf directly with a hammer or other object when seating the shelf. Instead use a rubber mallet or a flat piece of wood to protect the finish before striking.
- Post are grooved at 25mm increments and are doubled grooved at 125mm for easy shelf positioning.
- Each Casifit shelf is supplied with four (4) black post sleeves. These post sleeves form a wedge to hold the shelf into place. To attach these sleeves slide them up the post to the desired height until it snaps into the post grooves ensuring the wider part of the sleeves are facing towards the bottom.

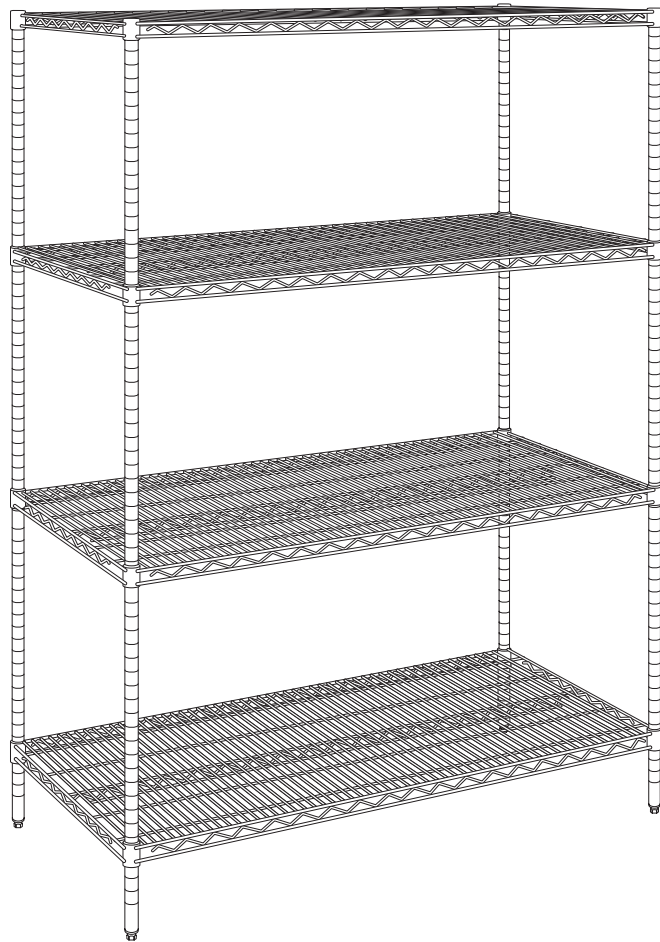
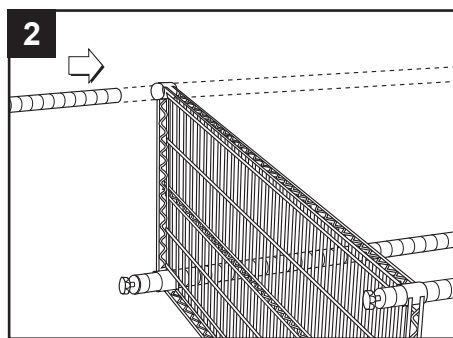
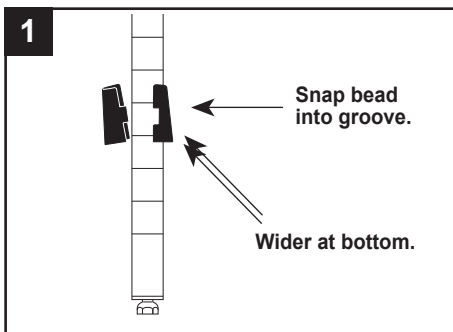
### Installation Instructions

1. Attach post sleeves to each post at the desired height for your bottom shelf. Ensure the post sleeves snap securely into the posts and each sleeve is placed at an identical level on each post.
2. Lay your 1<sup>st</sup> (bottom) shelf on its side and firmly insert your posts starting with the posts closest to the floor first.
3. Move your unit into an upright position.
4. Using a rubber mallet firmly tap each corner of the shelf to secure it into place.
5. Continue installing your required shelving tiers at the required levels
6. Each Casifit Shelving unit is supplied with adjustable feet; once your unit is moved into position adjust the feet to level the unit.

### Casifit Shelving Accessories

- Clamps- These are used to brace multiple shelf units together for extra stability
- S Hooks- these are used to fix bridging shelving between shelf units
- Castors- all units are fitted with adjustable feet, however they can be removed and replaced with 100mm diameter or 125mm diameter wheel castors.

View our complete range of Casifit shelving at  
[www.c-rh.com.au](http://www.c-rh.com.au)



When assembling the unit never strike the shelf directly with a hammer or other object when seating the shelf. Instead, use a rubber mallet or a flat piece of wood to protect the finish before striking.

