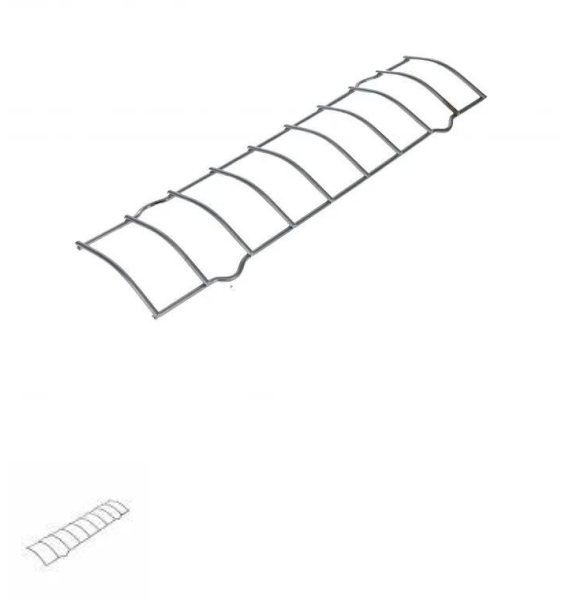


QD Heat Lamp Wire Guard

PART No: HLGUARD500W

FEATURES

QD Heat Lamp Wire Guard



CRH Australia Pty Ltd 1-3 Nelson Street Moorabbin VIC 3189 Australia t+61 3 9532 f+61 3 9532 2696

info@crh.com.au

www.crh.com.au